

KFL

air condensers

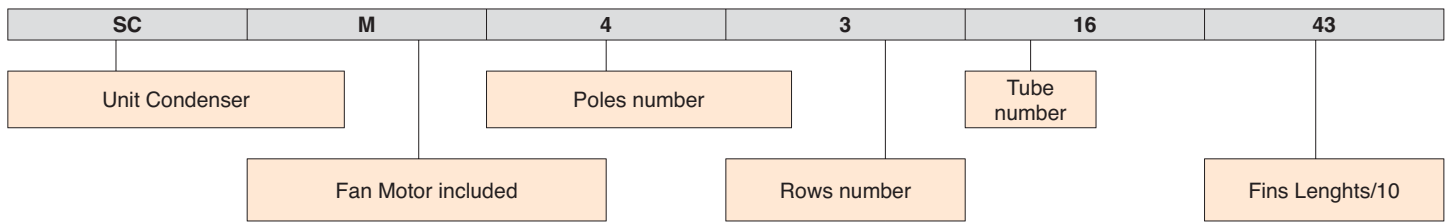
PRODUCTS INDEX

CONDENSER FOR CONDENSING UNIT

PV Pag. 4-5

SCM Pag. 6-7

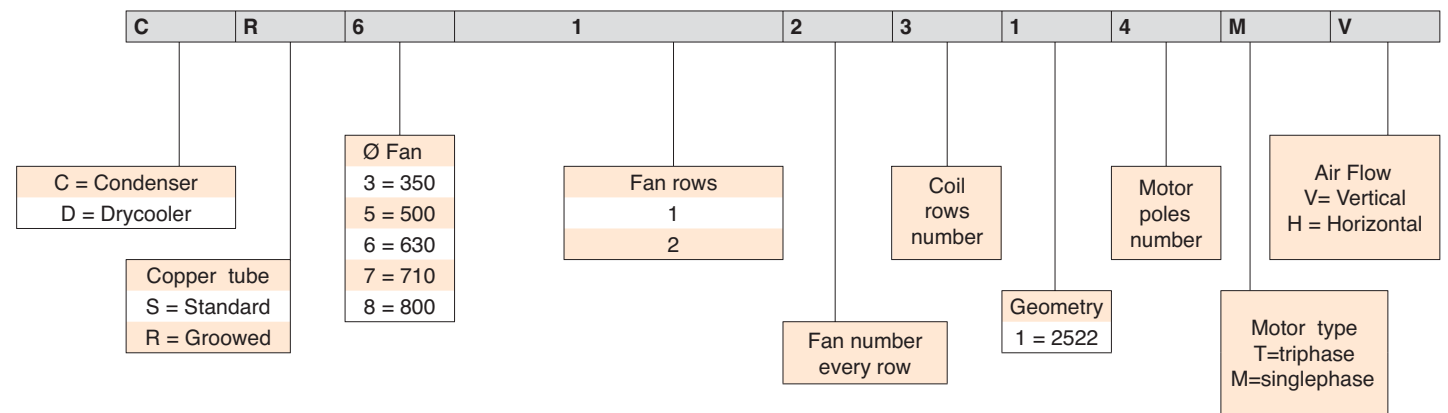
Model Description



REMOTE AIR CONDENSER

CR

Model Description



CR3 Pag. 8 - 9

Capacity from 5 to 84 Kw 4 -6 poles, fan ø 350

CR5 Pag. 10-11

Capacity from 12 to 233 Kw 4 - 6 - 8 poles, fan ø 500

CR6 Pag. 12-13

Capacity from 13 to 451 Kw 4 - 6 - 8 - 12 poles, fan ø 630

CR7 Pag. 14-15

Capacity from 35 to 467 Kw 6 poles, fan ø 710

CR8 Pag. 16-17

Capacity from 35 to 984 Kw - 6 - 8 - 12 poles, fan ø 800

GENERAL FEATURES

KFL condensers are suitable for refrigeration and air conditioning equipment. Knowledge and technology are our business philosophy.

We are highlighted due to our flexibility and availability.

During the realization of our products, each stage is aimed at ensuring performance, security and quality.

Axial condensers CR are available in the following versions:

- V= Vertical air flow
- H= Horizontal air flow

Most common refrigerant HFC, such as R404A, R507C, R407C, R134a

- the KFL range capacity includes between 0,57 Kw to near 1000 Kw

CONDENSERS FOR CONDENSING UNITS

- Coil constructed using copper tube and aluminium fins with 3,1 mm fin spacing
- Casing made with galvanized steel

REMOTE AIR CONDENSERS

- Coil constructed using copper tube and aluminium fins with 2,1 mm fin spacing
- Casing made with galvanized steel and pre-painted steel
- Mono-phase motorfans D. 350 mm with assembled thermic protection
- Tri-phase motorfans D.500 - 630 - 710 - 800 mm with thermic protection to be wired

TEST AND CLEANING

The coils are cleaned and dehydrated, All the coils are tested in pressure and leak test with dry air at 30 bar.

OPTIONS

- Pre-coated aluminium or copper fins
- Coil treated to be resistant against corrosion in aggressive environment
- Stainless steel casing
- Special fin spacing
- Multi circuits
- Sub cooling circuit
- Special fan on customer's request
- Fan speed control
- Special design on customer's request

SOUND DATA

The sound pressure level is calculated according to EN 13487 on the surface of a cubic area which is at 10 metre distance and is parallel to the reference envelope of the sound source. (Standard sound pressure level; annex C EN 13487)

Sound pressure correction for different distances.

| Distance (m) | 2 | 3 | 4 | 5 | 7 | 10 | 15 | 20 | 30 | 40 | 50 | 60 | 80 |
|------------------|-----|------|----|----|------|----|----|------|----|-----|-----|-----|-----|
| Correction dB(A) | +11 | +8,5 | +7 | +5 | +2,5 | 0 | -3 | -5,5 | -9 | -11 | -12 | -14 | -16 |

Sound pressure level for several units at nominal speed rating.

| N° units | 2 | 3 | 4 | 5 | 6 | 7 | 8 | 9 | 10 |
|----------|---|---|---|---|---|-----|---|-----|----|
| dB(A) | 3 | 5 | 6 | 7 | 8 | 8,5 | 9 | 9,5 | 10 |

To calculate the sound pressure level, take the sound power of the individual units according to their position, and calculate the sound propagation taking into consideration the local and ambient conditions. Speed change, start-up and control noises are not taken into account.



CAPACITY

Nominal heat exchange capacity Qn refers to:

- Refrigerant R404A with dt15 °K.
- Condensing temperature Tcn = 40°C
- Outside temperature Ta = 25°C
- Altitude = 0 m

For other conditions, the real capacity must be calculated as follows:

$$Q_r = Q_n \times f_1 \times f_2 \times f_3 \times f_4 \times f_5$$

Correcting factor

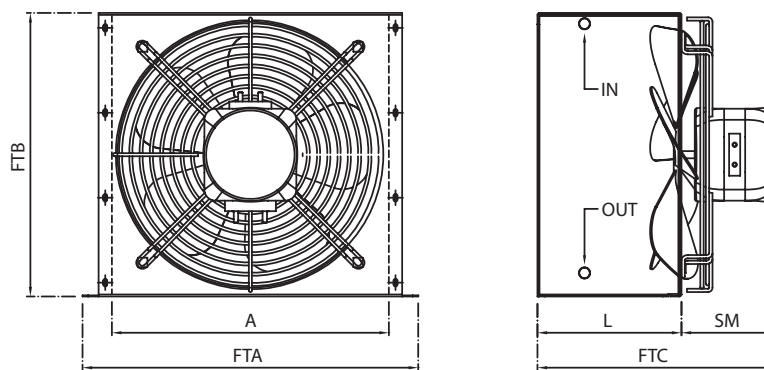
| | | | | | | | | | | | |
|-------------------|-------|------|-------|-------|------|------|------|------|------|------|------|
| T (°K) = Tcn - Ta | 10 | 11 | 12 | 13 | 14 | 15 | 16 | 17 | 18 | 19 | 20 |
| f1 | 0,62 | 0,70 | 0,77 | 0,85 | 0,93 | 1,00 | 1,09 | 1,16 | 1,24 | 1,32 | 1,40 |
| Ta (°C) | 15 | 20 | 25 | 30 | 35 | 40 | | | | | |
| f2 | 1,03 | 1,02 | 1,00 | 0,98 | 0,97 | 0,96 | | | | | |
| h (m) | 0 | 500 | 1000 | 1500 | 2000 | | | | | | |
| f3 | 1,00 | 0,97 | 0,93 | 0,90 | 0,86 | | | | | | |
| refrigerant | R404A | R507 | R134A | R407C | | | | | | | |
| f4 | 1,00 | 1,00 | 0,93 | 0,88 | | | | | | | |
| fin mater. | Al | PrAl | Cu | | | | | | | | |
| f5 | 1,00 | 0,97 | 1,03 | | | | | | | | |

Condensers for Condensing Units **PV**



Motorfan date 230V / 1 / 50Hz

| MODEL | Capacity (m3/h) | Air flow (kW) | Watt | Ampere | Fan number | Fan diameter (mm) | Surface (m2) | internal volume (dm3) | Weigth (Kg) |
|-----------|-----------------|---------------|------|--------|------------|-------------------|--------------|-----------------------|-------------|
| PV0570 | 0,57 | 280 | 5 | 0,2 | 1 | 172 | 1,12 | 0,16 | 2,7 |
| PV0680 | 0,68 | 250 | 5 | 0,2 | 1 | 172 | 1,66 | 0,18 | 3,1 |
| PV0750 | 0,75 | 250 | 5 | 0,2 | 1 | 172 | 1,7 | 0,25 | 3,2 |
| PV0860 | 0,86 | 440 | 7 | 0,2 | 1 | 200 | 1,47 | 0,2 | 3,5 |
| PV1000 | 1 | 400 | 7 | 0,2 | 1 | 200 | 2,17 | 0,23 | 3,8 |
| PV1100 | 1,1 | 400 | 7 | 0,2 | 1 | 200 | 2,22 | 0,3 | 3,9 |
| PV1270 | 1,27 | 750 | 10 | 0,3 | 1 | 230 | 1,85 | 0,25 | 3,8 |
| PV1500 | 1,5 | 690 | 10 | 0,3 | 1 | 230 | 2,73 | 0,28 | 4,1 |
| PV1650 | 1,65 | 690 | 10 | 0,3 | 1 | 230 | 2,81 | 0,39 | 4,3 |
| PV1730 | 1,73 | 740 | 16 | 0,45 | 1 | 254 | 3,37 | 0,34 | 5,4 |
| PV1900 | 1,9 | 740 | 16 | 0,45 | 1 | 254 | 3,47 | 0,46 | 5,6 |
| PV2300 | 2,3 | 1300 | 25 | 0,75 | 1 | 300 | 3,63 | 0,49 | 6,8 |
| PV2750 | 2,75 | 1200 | 25 | 0,75 | 1 | 300 | 5,36 | 0,53 | 7,9 |
| PV3000 | 3 | 1200 | 25 | 0,75 | 1 | 300 | 5,45 | 0,75 | 8,1 |
| PV0750-4 | 0,85 | 250 | 5 | 0,2 | 1 | 172 | 2 | 0,33 | 3,6 |
| PV1100-4 | 1,25 | 400 | 7 | 0,2 | 1 | 200 | 2,7 | 0,43 | 4,3 |
| PV1650-4 | 1,88 | 690 | 11 | 0,3 | 1 | 230 | 3,4 | 0,53 | 4,9 |
| PV1900-4 | 2,15 | 740 | 16 | 0,45 | 1 | 254 | 4,1 | 0,65 | 6,3 |
| PV3000-4 | 3,4 | 1200 | 25 | 0,75 | 1 | 300 | 6,6 | 0,98 | 8,5 |
| PV0570-D | 1,19 | 560 | 5 | 0,4 | 2 | 172 | 2 | 0,29 | 5,6 |
| PV0680-D | 1,36 | 500 | 5 | 0,4 | 2 | 172 | 2,4 | 0,34 | 6,1 |
| PV0750-D | 1,53 | 500 | 5 | 0,4 | 2 | 172 | 3,2 | 0,46 | 6,2 |
| PV0860-D | 1,76 | 880 | 7 | 0,4 | 2 | 200 | 2,7 | 0,38 | 6,9 |
| PV1000-D | 1,92 | 800 | 7 | 0,4 | 2 | 200 | 3 | 0,43 | 7,5 |
| PV1100-D | 2,14 | 800 | 7 | 0,4 | 2 | 200 | 4 | 0,58 | 7,7 |
| PV1270-D | 2,49 | 1500 | 10 | 0,6 | 2 | 230 | 3,3 | 0,48 | 7,7 |
| PV1500-D | 2,9 | 1380 | 10 | 0,6 | 2 | 230 | 3,7 | 0,54 | 8,3 |
| PV1650-D | 3,39 | 1380 | 10 | 0,6 | 2 | 230 | 5,2 | 0,75 | 8,6 |
| PV1730-D | 3,46 | 1480 | 16 | 0,9 | 2 | 254 | 4,5 | 0,71 | 10,8 |
| PV1900-D | 3,85 | 1480 | 16 | 0,9 | 2 | 254 | 6,2 | 0,95 | 11,1 |
| PV2300-D | 4,8 | 2600 | 25 | 1,5 | 2 | 300 | 6,6 | 1,02 | 13,5 |
| PV2750-D | 5,4 | 2400 | 25 | 1,5 | 2 | 300 | 7,2 | 1,02 | 14,6 |
| PV3000-D | 6,15 | 2400 | 25 | 1,5 | 2 | 300 | 9,6 | 1,31 | 15,1 |
| PV0750-D | 1,74 | 500 | 5 | 0,4 | 2 | 172 | 4,4 | 0,63 | 3,6 |
| PV1100-D4 | 2,5 | 800 | 7 | 0,4 | 2 | 200 | 5,7 | 0,77 | 4,3 |
| PV1650-D4 | 3,8 | 1380 | 11 | 0,6 | 2 | 230 | 7,2 | 0,97 | 4,9 |
| PV1900-D4 | 4,35 | 1480 | 16 | 0,9 | 2 | 254 | 8,9 | 1,19 | 6,3 |
| PV3000-D4 | 6,9 | 2400 | 25 | 1,5 | 2 | 300 | 14 | 1,75 | 8,7 |



| MODEL | A | FTA | FTB | L | SM | FTC | Connections |
|-----------|-----|-----|-----|-----|-----|-----|-------------|
| PV0570 | 190 | 243 | 203 | 110 | 63 | 173 | 8 |
| PV0680 | 190 | 243 | 203 | 130 | 63 | 193 | 8 |
| PV0750 | 190 | 243 | 203 | 130 | 63 | 193 | 8 |
| PV0860 | 220 | 273 | 228 | 110 | 67 | 177 | 8 |
| PV1000 | 220 | 273 | 228 | 130 | 67 | 197 | 8 |
| PV1100 | 220 | 273 | 228 | 130 | 67 | 197 | 8 |
| PV1270 | 250 | 303 | 253 | 110 | 73 | 183 | 8 |
| PV1500 | 250 | 303 | 253 | 130 | 73 | 203 | 8 |
| PV1650 | 250 | 303 | 253 | 130 | 73 | 203 | 8 |
| PV1730 | 280 | 333 | 278 | 130 | 76 | 206 | 8 |
| PV1900 | 280 | 333 | 278 | 130 | 76 | 206 | 8 |
| PV2300 | 350 | 403 | 353 | 130 | 123 | 253 | 8 |
| PV2750 | 350 | 403 | 353 | 150 | 123 | 273 | 8 |
| PV3000 | 350 | 403 | 353 | 150 | 123 | 273 | 8 |
| PV0750-4 | 190 | 243 | 203 | 155 | 63 | 218 | 8 |
| PV1100-4 | 220 | 273 | 228 | 155 | 67 | 222 | 8 |
| PV1650-4 | 250 | 303 | 253 | 155 | 73 | 228 | 8 |
| PV1900-4 | 280 | 333 | 278 | 155 | 76 | 231 | 8 |
| PV3000-4 | 350 | 403 | 353 | 175 | 123 | 273 | 8 |
| PV0570-D | 400 | 453 | 203 | 110 | 63 | 173 | 8 |
| PV0680-D | 400 | 453 | 203 | 130 | 63 | 193 | 8 |
| PV0750-D | 400 | 453 | 203 | 130 | 63 | 193 | 8 |
| PV0860-D | 460 | 513 | 228 | 110 | 67 | 177 | 8 |
| PV1000-D | 460 | 513 | 228 | 130 | 67 | 197 | 8 |
| PV1100-D | 460 | 513 | 228 | 130 | 67 | 197 | 8 |
| PV1270-D | 520 | 573 | 253 | 110 | 73 | 183 | 8 |
| PV1500-D | 520 | 573 | 253 | 130 | 73 | 203 | 8 |
| PV1650-D | 520 | 573 | 253 | 130 | 73 | 203 | 8 |
| PV1730-D | 580 | 633 | 278 | 130 | 76 | 206 | 8 |
| PV1900-D | 580 | 633 | 278 | 130 | 76 | 206 | 8 |
| PV2300-D | 720 | 773 | 353 | 130 | 123 | 253 | 8 |
| PV2750-D | 720 | 773 | 353 | 150 | 123 | 273 | 8 |
| PV3000-D | 720 | 773 | 353 | 150 | 123 | 273 | 12 |
| PV0750-D | 400 | 453 | 203 | 155 | 63 | 218 | 8 |
| PV1100-D4 | 460 | 513 | 228 | 155 | 67 | 222 | 8 |
| PV1650-D4 | 520 | 573 | 253 | 155 | 73 | 228 | 8 |
| PV1900-D4 | 580 | 633 | 278 | 155 | 76 | 231 | 8 |
| PV3000-D4 | 720 | 773 | 353 | 175 | 123 | 273 | 12 |

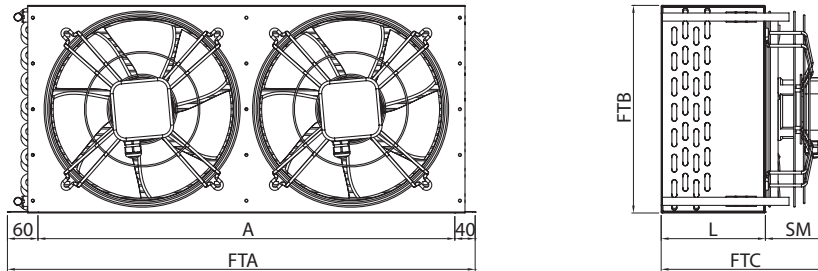


Motorfans date 230V/1/50 Hz

| MODEL | Capacity (m3/h) | Air flow (kW) | Watt | Ampere | Fan number | Fan diameter (mm) | Surface (m2) | internal volume (dm3) | Weigth (Kg) |
|------------|-----------------|---------------|------|--------|------------|-------------------|--------------|-----------------------|-------------|
| SCM431643 | 4,3 | 2100 | 150 | 0,75 | 1 | 350 | 7,3 | 1,9 | 10 |
| SCM441643 | 5 | 1850 | 150 | 0,75 | 1 | 350 | 9,8 | 2,5 | 11 |
| SCM451643 | 5,4 | 1650 | 150 | 0,75 | 1 | 350 | 12,2 | 3,1 | 12 |
| SCM432063 | 7,53 | 3400 | 190 | 0,9 | 1 | 400 | 13,4 | 3,4 | 14 |
| SCM442063 | 8,9 | 3200 | 190 | 0,9 | 1 | 400 | 17,9 | 4,6 | 15 |
| SCM452063 | 9,83 | 3000 | 190 | 0,9 | 1 | 400 | 22,4 | 5,7 | 16 |
| SCM432255 | 9,36 | 5200 | 250 | 1,2 | 1 | 450 4P | 12,9 | 3,3 | 16 |
| SCM442255 | 11,3 | 4800 | 250 | 1,2 | 1 | 450 4P | 17,2 | 4,4 | 17 |
| SCM452255 | 12,28 | 4300 | 250 | 1,2 | 1 | 450 4P | 21,5 | 5,5 | 18 |
| SCM632255 | 7,54 | 3500 | 150 | 0,72 | 1 | 450 6P | 12,9 | 3,3 | 16 |
| SCM642255 | 8,56 | 3100 | 150 | 0,72 | 1 | 450 6P | 17,2 | 4,4 | 17 |
| SCM652255 | 9,25 | 2800 | 150 | 0,72 | 1 | 450 6P | 21,5 | 5,5 | 18 |
| SCM431682 | 9,2 | 4600 | 150 | 0,75 | 2 | 350 | 14,0 | 3,3 | 20 |
| SCM441682 | 11,1 | 4400 | 150 | 0,75 | 2 | 350 | 18,7 | 4,4 | 22 |
| SCM451682 | 12,3 | 4100 | 150 | 0,75 | 2 | 350 | 23,3 | 5,5 | 24 |
| SCM442282 | 13,9 | 5200 | 150 | 0,75 | 2 | 350 | 25,7 | 6,0 | 30 |
| SCM452282 | 15,2 | 4800 | 150 | 0,75 | 2 | 350 | 32,1 | 7,5 | 34 |
| SCM4320100 | 13,2 | 6300 | 190 | 0,9 | 2 | 400 | 21,3 | 5,0 | 30 |
| SCM4420100 | 15,5 | 5800 | 190 | 0,9 | 2 | 400 | 28,4 | 6,6 | 32 |
| SCM4520100 | 17,3 | 5500 | 190 | 0,9 | 2 | 400 | 35,6 | 8,3 | 34 |
| SCM4326100 | 19,8 | 10400 | 250 | 1,2 | 2 | 450 4P | 27,7 | 6,5 | 34 |
| SCM4426100 | 23,3 | 9500 | 250 | 1,2 | 2 | 450 4P | 37,0 | 8,6 | 39 |
| SCM4526100 | 26,2 | 9000 | 250 | 1,2 | 2 | 450 4P | 46,2 | 10,8 | 44 |
| SCM6326100 | 16,2 | 7500 | 150 | 0,72 | 2 | 450 6P | 27,7 | 6,5 | 34 |
| SCM6426100 | 19,15 | 7000 | 150 | 0,72 | 2 | 450 6P | 37,0 | 8,6 | 39 |
| SCM6526100 | 21,1 | 6500 | 150 | 0,72 | 2 | 450 6P | 46,2 | 10,8 | 44 |

Motorfans date 400V/3/50 Hz

| MODEL | Capacity (m3/h) | Air flow (kW) | Watt | Ampere | Fan number | Fan diameter (mm) | Surface (m2) | internal volume (dm3) | Weigth (Kg) |
|------------|-----------------|---------------|------|--------|------------|-------------------|--------------|-----------------------|-------------|
| SCM4330130 | 28,57 | 14800 | 420 | 0,85 | 2 | 500 4P | 41,6 | 9,7 | 36 |
| SCM4430130 | 34,5 | 13800 | 420 | 0,85 | 2 | 500 4P | 55,5 | 13,0 | 45 |
| SCM4530130 | 38,56 | 12800 | 420 | 0,85 | 2 | 500 4P | 69,3 | 16,2 | 54 |
| SCM6330130 | 22,95 | 10500 | 220 | 0,62 | 2 | 500 6P | 41,6 | 9,7 | 36 |
| SCM6430130 | 27,65 | 10000 | 220 | 0,62 | 2 | 500 6P | 55,5 | 13,0 | 45 |
| SCM6530130 | 30,6 | 9300 | 220 | 0,62 | 2 | 500 6P | 69,3 | 16,2 | 54 |
| SCM6532150 | 45,9 | 15500 | 500 | 1,4 | 2 | 630 6P | 85,3 | 19,9 | 65 |
| SCM6632150 | 49,45 | 14500 | 500 | 1,4 | 2 | 630 6P | 102,4 | 23,9 | 75 |
| SCM6640150 | 58,4 | 16800 | 500 | 1,4 | 2 | 630 6P | 128,0 | 29,9 | 100 |
| SCM4640150 | 80,9 | 27000 | 850 | 1,6 | 2 | 630 4P | 128,0 | 29,9 | 100 |



| MODEL | A | FTA | FTB | L | SM | FTC | Connections |
|-----------|-----|-----|-----|-----|-----|-----|-------------|
| SCM431643 | 430 | 530 | 400 | 205 | 305 | 510 | 16 - 16 |
| SCM441643 | 430 | 530 | 400 | 205 | 305 | 510 | 16 - 16 |
| SCM451643 | 430 | 530 | 400 | 205 | 305 | 510 | 16 - 16 |
| SCM432063 | 630 | 730 | 500 | 225 | 325 | 550 | 16 - 16 |
| SCM442063 | 630 | 730 | 500 | 225 | 325 | 550 | 16 - 16 |
| SCM452063 | 630 | 730 | 500 | 225 | 325 | 550 | 16 - 16 |
| SCM432255 | 550 | 650 | 550 | 225 | 375 | 600 | 16 - 16 |
| SCM442255 | 550 | 650 | 550 | 225 | 375 | 600 | 16 - 16 |
| SCM452255 | 550 | 650 | 550 | 225 | 375 | 600 | 16 - 16 |
| SCM632255 | 550 | 650 | 550 | 225 | 375 | 600 | 16 - 16 |
| SCM642255 | 550 | 650 | 550 | 225 | 375 | 600 | 16 - 16 |
| SCM652255 | 550 | 650 | 550 | 225 | 375 | 600 | 16 - 16 |
| SCM431682 | 820 | 920 | 400 | 205 | 305 | 510 | 16 - 16 |
| SCM441682 | 820 | 920 | 400 | 205 | 305 | 510 | 16 - 16 |
| SCM451682 | 820 | 920 | 400 | 205 | 305 | 510 | 16 - 16 |
| SCM442282 | 820 | 920 | 550 | 205 | 305 | 510 | 16 - 16 |

| | | | | | | | |
|------------|------|------|------|-----|-----|-----|---------|
| SCM452282 | 1000 | 1100 | 550 | 205 | 305 | 510 | 16 - 16 |
| SCM4320100 | 1000 | 1100 | 500 | 225 | 325 | 550 | 16 - 16 |
| SCM4420100 | 1000 | 1100 | 500 | 225 | 325 | 550 | 16 - 16 |
| SCM4520100 | 1000 | 1100 | 500 | 225 | 325 | 550 | 16 - 16 |
| SCM4326100 | 1000 | 1100 | 650 | 225 | 325 | 550 | 22 - 16 |
| SCM4426100 | 1000 | 1100 | 650 | 225 | 325 | 550 | 22 - 16 |
| SCM4526100 | 1000 | 1100 | 650 | 225 | 325 | 550 | 22 - 16 |
| SCM6326100 | 1000 | 1100 | 650 | 225 | 325 | 550 | 22 - 16 |
| SCM6426100 | 1000 | 1100 | 650 | 225 | 325 | 550 | 22 - 16 |
| SCM6526100 | 1000 | 1100 | 650 | 225 | 325 | 550 | 22 - 16 |
| SCM4330130 | 1300 | 1400 | 750 | 225 | 375 | 600 | 28 - 22 |
| SCM4430130 | 1300 | 1400 | 750 | 225 | 375 | 600 | 28 - 22 |
| SCM4530130 | 1300 | 1400 | 750 | 225 | 375 | 600 | 28 - 22 |
| SCM6330130 | 1300 | 1400 | 750 | 225 | 375 | 600 | 28 - 22 |
| SCM6430130 | 1300 | 1400 | 750 | 225 | 375 | 600 | 28 - 22 |
| SCM6530130 | 1300 | 1400 | 750 | 225 | 375 | 600 | 28 - 22 |
| SCM6532150 | 1500 | 1600 | 800 | 225 | 375 | 600 | 28 - 22 |
| SCM6632150 | 1500 | 1600 | 800 | 225 | 375 | 600 | 35 - 28 |
| SCM6640150 | 1500 | 1600 | 1000 | 225 | 375 | 600 | 35 - 28 |
| SCM4640150 | 1500 | 1600 | 1000 | 225 | 375 | 600 | 35 - 28 |

Remote Condensers CR3



| MODEL | Capacity (kW) | | Air flow (m3/h) | | Motorfans date 230V/1/50Hz | | | Noise level dB(A) 10m | Surface (m2) | internal volume (dm3) | Weigth (Kg) |
|----------------|---------------|-------------|-----------------|-------------|----------------------------|-----------------|------------|-----------------------|--------------|-----------------------|-------------|
| | 4p 1365 rpm | 4p 1365 rpm | 4p 1365 rpm | 4p 1365 rpm | Watt 1365 rpm | Ampere 1365 rpm | N° x Ø 350 | | | | |
| CR3 1 1 2 1 4M | 6,7 | 2700 | 132 | 0,58 | 1 | 40 | 9,5 | 1,8 | 11 | | |
| CR3 1 1 3 1 4M | 9,0 | 2500 | 132 | 0,58 | 1 | 40 | 14,3 | 2,6 | 13 | | |
| CR3 1 1 4 1 4M | 10,5 | 2300 | 132 | 0,58 | 1 | 40 | 19,0 | 3,4 | 15 | | |
| CR3 1 2 2 1 4M | 13,4 | 5400 | 264 | 1,16 | 2 | 43 | 19,0 | 3,6 | 20 | | |
| CR3 1 2 3 1 4M | 18,0 | 5000 | 264 | 1,16 | 2 | 43 | 28,6 | 5,2 | 24 | | |
| CR3 1 2 4 1 4M | 21,0 | 4600 | 264 | 1,16 | 2 | 43 | 38,0 | 6,8 | 28 | | |
| CR3 1 3 2 1 4M | 20,1 | 8100 | 396 | 1,74 | 3 | 44 | 28,5 | 5,4 | 30 | | |
| CR3 1 3 3 1 4M | 27,0 | 7500 | 396 | 1,74 | 3 | 44 | 42,9 | 7,8 | 36 | | |
| CR3 1 3 4 1 4M | 31,5 | 6900 | 396 | 1,74 | 3 | 44 | 57,0 | 10,2 | 42 | | |
| CR3 1 4 2 1 4M | 26,8 | 10800 | 528 | 2,32 | 4 | 46 | 38,0 | 7,2 | 39 | | |
| CR3 1 4 3 1 4M | 36,0 | 10000 | 528 | 2,32 | 4 | 46 | 57,2 | 10,4 | 47 | | |
| CR3 1 4 4 1 4M | 42,0 | 9200 | 528 | 2,32 | 4 | 46 | 76,0 | 13,6 | 55 | | |
| CR3 2 2 2 1 4M | 53,6 | 21600 | 1056 | 4,64 | 8 | 46 | 76,0 | 14,4 | 39 | | |
| CR3 2 2 3 1 4M | 72,0 | 20000 | 1056 | 4,64 | 8 | 46 | 114,4 | 20,8 | 47 | | |
| CR3 2 2 4 1 4M | 84,0 | 18400 | 1056 | 4,64 | 8 | 46 | 152,0 | 27,2 | 55 | | |
| CR3 2 3 2 1 4M | 40,2 | 16200 | 792 | 3,48 | 6 | 48 | 57,0 | 10,8 | 58 | | |
| CR3 2 3 3 1 4M | 54,0 | 15000 | 792 | 3,48 | 6 | 48 | 85,8 | 15,6 | 70 | | |
| CR3 2 3 4 1 4M | 63,0 | 13800 | 792 | 3,48 | 6 | 48 | 114,0 | 20,4 | 82 | | |
| CR3 2 4 2 1 4M | 53,6 | 21600 | 1056 | 4,64 | 8 | 49 | 76,0 | 14,4 | 76 | | |
| CR3 2 4 3 1 4M | 72,0 | 20000 | 1056 | 4,64 | 8 | 49 | 114,4 | 20,8 | 92 | | |
| CR3 2 4 4 1 4M | 84,0 | 18400 | 1056 | 4,64 | 8 | 49 | 152,0 | 27,2 | 108 | | |

| MODEL | Capacity (kW) | | Air flow (m3/h) | | Motorfans date 230V/1/50Hz | | | Noise level dB(A) 10m | Surface (m2) | internal volume (dm3) | Weigth (Kg) |
|----------------|---------------|------------|-----------------|------------|----------------------------|----------------|------------|-----------------------|--------------|-----------------------|-------------|
| | 6p 905 rpm | 6p 905 rpm | 6p 905 rpm | 6p 905 rpm | Watt 905 rpm | Ampere 905 rpm | N° x Ø 350 | | | | |
| CR3 1 1 2 1 6M | 5,3 | 1700 | 60 | 0,27 | 1 | 31 | 9,5 | 1,8 | 11 | | |
| CR3 1 1 3 1 6M | 7,0 | 1600 | 60 | 0,27 | 1 | 31 | 14,3 | 2,6 | 13 | | |
| CR3 1 1 4 1 6M | 7,6 | 1400 | 60 | 0,27 | 1 | 31 | 19,0 | 3,4 | 15 | | |
| CR3 1 2 2 1 6M | 10,6 | 3400 | 120 | 0,54 | 2 | 34 | 19,0 | 3,6 | 20 | | |
| CR3 1 2 3 1 6M | 14,0 | 3200 | 120 | 0,54 | 2 | 34 | 28,6 | 5,2 | 24 | | |
| CR3 1 2 4 1 6M | 15,2 | 2800 | 120 | 0,54 | 2 | 34 | 38,0 | 6,8 | 28 | | |
| CR3 1 3 2 1 6M | 15,9 | 5100 | 180 | 0,81 | 3 | 35 | 28,5 | 5,4 | 30 | | |
| CR3 1 3 3 1 6M | 21,0 | 4800 | 180 | 0,81 | 3 | 35 | 42,9 | 7,8 | 36 | | |
| CR3 1 3 4 1 6M | 22,8 | 4200 | 180 | 0,81 | 3 | 35 | 57,0 | 10,2 | 42 | | |
| CR3 1 4 2 1 6M | 21,2 | 6800 | 240 | 1,08 | 4 | 37 | 38,0 | 7,2 | 39 | | |
| CR3 1 4 3 1 6M | 28,0 | 6400 | 240 | 1,08 | 4 | 37 | 57,2 | 10,4 | 47 | | |
| CR3 1 4 4 1 6M | 30,4 | 5600 | 240 | 1,08 | 4 | 37 | 76,0 | 13,6 | 55 | | |
| CR3 2 2 2 1 6M | 42,4 | 13600 | 480 | 2,16 | 8 | 37 | 76,0 | 14,4 | 39 | | |
| CR3 2 2 3 1 6M | 56,0 | 12800 | 480 | 2,16 | 8 | 37 | 114,4 | 20,8 | 47 | | |
| CR3 2 2 4 1 6M | 60,8 | 11200 | 480 | 2,16 | 8 | 37 | 152,0 | 27,2 | 55 | | |
| CR3 2 3 2 1 6M | 31,8 | 10200 | 360 | 1,62 | 6 | 39 | 57,0 | 10,8 | 58 | | |
| CR3 2 3 3 1 6M | 42,0 | 9600 | 360 | 1,62 | 6 | 39 | 85,8 | 15,6 | 70 | | |
| CR3 2 3 4 1 6M | 45,6 | 8400 | 360 | 1,62 | 6 | 39 | 114,0 | 20,4 | 82 | | |
| CR3 2 4 2 1 6M | 42,4 | 13600 | 480 | 2,16 | 8 | 40 | 76,0 | 14,4 | 76 | | |
| CR3 2 4 3 1 6M | 56,0 | 12800 | 480 | 2,16 | 8 | 40 | 114,4 | 20,8 | 92 | | |
| CR3 2 4 4 1 6M | 60,8 | 11200 | 480 | 2,16 | 8 | 40 | 152,0 | 27,2 | 108 | | |

| MODEL | Capacity (kW) | | Air flow (m3/h) | | Motorfans date 400V/3/50Hz | | | | | Noise level | | Surface (m2) | internal volume (dm3) | Weigth (Kg) |
|----------------|-----------------|-----------------|-----------------|-----------------|----------------------------|----------------------|------------------------|------------------------|------------|---------------|---------------|--------------|-----------------------|-------------|
| | 4p "Δ" 1360 rpm | 4p "λ" 1100 rpm | 4p "Δ" 1360 rpm | 4p "λ" 1100 rpm | Watt 4p "Δ" 1360 rpm | Watt 4p "λ" 1100 rpm | Ampere 4p "Δ" 1360 rpm | Ampere 4p "λ" 1100 rpm | N° x Ø 500 | dB(A) "Δ" 10m | dB(A) "λ" 10m | | | |
| CR5 1 1 2 1 4T | 20,2 | 18,3 | 8300 | 7100 | 850 | 600 | 1,7 | 1,0 | 1 | 44 | 41 | 24,4 | 4,6 | 38 |
| CR5 1 1 3 1 4T | 25,1 | 22,5 | 7900 | 6800 | 850 | 600 | 1,7 | 1,0 | 1 | 44 | 41 | 36,6 | 6,6 | 42 |
| CR5 1 1 4 1 4T | 27,8 | 24,6 | 7500 | 6400 | 850 | 600 | 1,7 | 1,0 | 1 | 44 | 41 | 48,7 | 8,7 | 46 |
| CR5 1 2 2 1 4T | 40,4 | 36,6 | 16600 | 14200 | 1700 | 1200 | 3,4 | 2,0 | 2 | 47 | 44 | 48,8 | 9,2 | 71 |
| CR5 1 2 3 1 4T | 50,2 | 45,0 | 15800 | 13600 | 1700 | 1200 | 3,4 | 2,0 | 2 | 47 | 44 | 73,2 | 13,2 | 80 |
| CR5 1 2 4 1 4T | 55,6 | 49,2 | 15000 | 12800 | 1700 | 1200 | 3,4 | 2,0 | 2 | 47 | 44 | 97,4 | 17,4 | 89 |
| CR5 1 3 2 1 4T | 60,6 | 54,9 | 24900 | 21300 | 2550 | 1800 | 5,1 | 3,0 | 3 | 48 | 45 | 73,2 | 13,8 | 107 |
| CR5 1 3 3 1 4T | 75,3 | 67,5 | 23700 | 20400 | 2550 | 1800 | 5,1 | 3,0 | 3 | 48 | 45 | 109,8 | 19,8 | 120 |
| CR5 1 3 4 1 4T | 83,4 | 73,8 | 22500 | 19200 | 2550 | 1800 | 5,1 | 3,0 | 3 | 48 | 45 | 146,1 | 26,1 | 133 |
| CR5 1 4 2 1 4T | 80,8 | 73,2 | 33200 | 28400 | 3400 | 2400 | 6,8 | 4,0 | 4 | 50 | 47 | 97,6 | 18,4 | 129 |
| CR5 1 4 3 1 4T | 100,4 | 90,0 | 31600 | 27200 | 3400 | 2400 | 6,8 | 4,0 | 4 | 50 | 47 | 146,4 | 26,4 | 145 |
| CR5 1 4 4 1 4T | 111,2 | 98,4 | 30000 | 25600 | 3400 | 2400 | 6,8 | 4,0 | 4 | 50 | 47 | 194,8 | 34,8 | 161 |
| CR5 2 2 2 1 4T | 80,8 | 73,2 | 33200 | 28400 | 3400 | 2400 | 6,8 | 4,0 | 4 | 50 | 47 | 97,6 | 18,4 | 129 |
| CR5 2 2 3 1 4T | 100,4 | 90,0 | 31600 | 27200 | 3400 | 2400 | 6,8 | 4,0 | 4 | 50 | 47 | 146,4 | 26,4 | 145 |
| CR5 2 2 4 1 4T | 111,2 | 98,4 | 30000 | 25600 | 3400 | 2400 | 6,8 | 4,0 | 4 | 50 | 47 | 194,8 | 34,8 | 161 |
| CR5 1 5 2 1 4T | 101,0 | 91,5 | 41500 | 35500 | 4250 | 3000 | 8,5 | 5,0 | 5 | 51 | 48 | 122,0 | 23,0 | 161 |
| CR5 1 5 3 1 4T | 125,5 | 112,5 | 39500 | 34000 | 4250 | 3000 | 8,5 | 5,0 | 5 | 51 | 48 | 183,0 | 33,0 | 181 |
| CR5 1 5 4 1 4T | 139,0 | 123,0 | 37500 | 32000 | 4250 | 3000 | 8,5 | 5,0 | 5 | 51 | 48 | 243,5 | 43,5 | 201 |
| CR5 2 3 2 1 4T | 121,2 | 109,8 | 49800 | 42600 | 5100 | 3600 | 10,2 | 6,0 | 6 | 52 | 49 | 146,4 | 27,6 | 209 |
| CR5 2 3 3 1 4T | 150,6 | 135,0 | 47400 | 40800 | 5100 | 3600 | 10,2 | 6,0 | 6 | 52 | 49 | 219,6 | 39,6 | 235 |
| CR5 2 3 4 1 4T | 166,8 | 147,6 | 45000 | 38400 | 5100 | 3600 | 10,2 | 6,0 | 6 | 52 | 49 | 292,2 | 52,2 | 261 |
| CR5 2 4 2 1 4T | 161,6 | 146,4 | 66400 | 56800 | 6800 | 4800 | 13,6 | 8,0 | 8 | 53 | 50 | 195,2 | 36,8 | 250 |
| CR5 2 4 3 1 4T | 200,8 | 180,0 | 63200 | 54400 | 6800 | 4800 | 13,6 | 8,0 | 8 | 53 | 50 | 292,8 | 52,8 | 282 |
| CR5 2 4 4 1 4T | 222,4 | 196,8 | 59500 | 51200 | 6800 | 4800 | 13,6 | 8,0 | 8 | 53 | 50 | 389,6 | 69,6 | 314 |
| CR5 2 5 2 1 4T | 202,0 | 183,0 | 83000 | 71000 | 8500 | 6000 | 17,0 | 10,0 | 10 | 54 | 51 | 244,0 | 46,0 | 313 |
| CR5 2 5 3 1 4T | 251,0 | 225,0 | 79000 | 68000 | 8500 | 6000 | 17,0 | 10,0 | 10 | 54 | 51 | 366,0 | 66,0 | 353 |
| CR5 2 5 4 1 4T | 278,0 | 246,0 | 74500 | 64000 | 8500 | 6000 | 17,0 | 10,0 | 10 | 54 | 51 | 487,0 | 87,0 | 393 |

| MODEL | 6p "Δ" 910 rpm | 6p "λ" 750rpm | 6p "Δ" 910 rpm | 6p "λ" 750 rpm | Watt 6p "Δ" 910 rpm | Watt 6p "λ" 750 rpm | Ampere 6p "Δ" 910 rpm | Ampere 6p "λ" 750 rpm | N° x Ø 500 | dB(A) "Δ" 10m | dB(A) "λ" 10m | Surface (m2) | internal volume (dm3) | Weigth (Kg) |
|----------------|----------------|---------------|----------------|----------------|---------------------|---------------------|-----------------------|-----------------------|------------|---------------|---------------|--------------|-----------------------|-------------|
| CR5 1 1 2 1 6T | 15,9 | 13,9 | 5700 | 4700 | 280 | 200 | 0,6 | 0,33 | 1 | 36 | 33 | 24,4 | 4,6 | 38 |
| CR5 1 1 3 1 6T | 19,1 | 16,3 | 5400 | 4400 | 280w | 200 | 0,6 | 0,33 | 1 | 36 | 33 | 36,6 | 6,6 | 42 |
| CR5 1 1 4 1 6T | 20,2 | 17,2 | 5000 | 4100 | 280 | 200 | 0,6 | 0,33 | 1 | 36 | 33 | 48,7 | 8,7 | 46 |
| CR5 1 2 2 1 6T | 31,8 | 27,8 | 11400 | 9400 | 560 | 400 | 1,2 | 0,66 | 2 | 39 | 36 | 48,8 | 9,2 | 71 |
| CR5 1 2 3 1 6T | 38,2 | 32,6 | 10800 | 8800 | 560 | 400 | 1,2 | 0,66 | 2 | 39 | 36 | 73,2 | 13,2 | 80 |
| CR5 1 2 4 1 6T | 40,4 | 34,4 | 10000 | 8200 | 560 | 400 | 1,2 | 0,66 | 2 | 39 | 36 | 97,4 | 17,4 | 89 |
| CR5 1 3 2 1 6T | 47,7 | 41,7 | 17100 | 14100 | 840 | 600 | 1,8 | 0,99 | 3 | 40 | 37 | 73,2 | 13,8 | 107 |
| CR5 1 3 3 1 6T | 57,3 | 48,9 | 16200 | 13200 | 840 | 600 | 1,8 | 0,99 | 3 | 40 | 37 | 109,8 | 19,8 | 120 |
| CR5 1 3 4 1 6T | 60,6 | 51,6 | 15000 | 12300 | 840 | 600 | 1,8 | 0,99 | 3 | 40 | 37 | 146,1 | 26,1 | 133 |
| CR5 1 4 2 1 6T | 63,6 | 55,6 | 22800 | 18800 | 1120 | 800 | 2,4 | 1,32 | 4 | 42 | 39 | 97,6 | 18,4 | 129 |
| CR5 1 4 3 1 6T | 76,4 | 65,2 | 21600 | 17600 | 1120 | 800 | 2,4 | 1,32 | 4 | 42 | 39 | 146,4 | 26,4 | 145 |
| CR5 1 4 4 1 6T | 80,8 | 68,8 | 20000 | 16400 | 1120 | 800 | 2,4 | 1,32 | 4 | 42 | 39 | 194,8 | 34,8 | 161 |
| CR5 2 2 2 1 6T | 63,6 | 55,6 | 22800 | 18800 | 1120 | 800 | 2,4 | 1,32 | 4 | 42 | 39 | 97,6 | 18,4 | 129 |
| CR5 2 2 3 1 6T | 76,4 | 65,2 | 21600 | 17600 | 1120 | 800 | 2,4 | 1,32 | 4 | 42 | 39 | 146,4 | 26,4 | 145 |
| CR5 2 2 4 1 6T | 80,8 | 68,8 | 20000 | 16400 | 1120 | 800 | 2,4 | 1,32 | 4 | 42 | 39 | 194,8 | 34,8 | 161 |
| CR5 1 5 2 1 6T | 79,5 | 69,5 | 28500 | 23500 | 1400 | 1000 | 3,0 | 1,7 | 5 | 43 | 40 | 122,0 | 23,0 | 176 |
| CR5 1 5 3 1 6T | 95,5 | 81,5 | 27000 | 22000 | 1400 | 1000 | 3,0 | 1,7 | 5 | 43 | 40 | 183,0 | 33,0 | 181 |
| CR5 1 5 4 1 6T | 101,0 | 86,0 | 25000 | 20500 | 1400 | 1000 | 3,0 | 1,7 | 5 | 43 | 40 | 243,5 | 43,5 | 201 |
| CR5 2 3 2 1 6T | 95,4 | 83,4 | 34200 | 28200 | 1680 | 1200 | 3,6 | 1,98 | 6 | 44 | 41 | 146,4 | 27,6 | 209 |
| CR5 2 3 3 1 6T | 114,6 | 97,8 | 32400 | 26400 | 1680 | 1200 | 3,6 | 1,98 | 6 | 44 | 41 | 219,6 | 39,6 | 235 |
| CR5 2 3 4 1 6T | 121,2 | 103,2 | 30000 | 24600 | 1680 | 1200 | 3,6 | 1,98 | 6 | 44 | 41 | 292,2 | 52,2 | 261 |
| CR5 2 4 2 1 6T | 127,2 | 111,2 | 45600 | 37600 | 2240 | 1600 | 4,8 | 2,64 | 8 | 45 | 42 | 195,2 | 36,8 | 250 |
| CR5 2 4 3 1 6T | 152,8 | 130,4 | 43200 | 35200 | 2240 | 1600 | 4,8 | 2,64 | 8 | 45 | 42 | 292,8 | 52,8 | 282 |
| CR5 2 4 4 1 6T | 161,6 | 137,6 | 40000 | 32800 | 2240 | 1600 | 4,8 | 2,64 | 8 | 45 | 42 | 389,6 | 69,6 | 314 |
| CR5 2 5 2 1 6T | 159,0 | 139,0 | 57000 | 47000 | 2800 | 2000 | 6,0 | 3,3 | 10 | 46 | 43 | 244,0 | 46,0 | 313 |
| CR5 2 5 3 1 6T | 191,0 | 163,0 | 54000 | 44000 | 2800 | 2000 | 6,0 | 3,3 | 10 | 46 | 43 | 366,0 | 66,0 | 353 |
| CR5 2 5 4 1 6T | 202,0 | 172,0 | 50000 | 41000 | 2800 | 2000 | 6,0 | 3,3 | 10 | 46 | 43 | 487,0 | 87,0 | 393 |

| MODEL | 8p "Δ" 700 rpm | 8p "λ" 615rpm | 8p "Δ" 700 rpm | 8p "λ" 615 rpm | Watt 8p "Δ" 700 rpm | Watt 8p "λ" 615 rpm | Ampere 8p "Δ" 700 rpm | Ampere 8p "λ" 615 rpm | N° x Ø 500 | dB(A) "Δ" 10m | dB(A) "λ" 10m | Surface (m2) | internal volume (dm3) | Weigth (Kg) |
|----------------|----------------|---------------|----------------|----------------|---------------------|---------------------|-----------------------|-----------------------|------------|---------------|---------------|--------------|-----------------------|-------------|
| CR5 1 1 2 1 8T | 13,0 | 12,0 | 4300 | 3800 | 210 | 120 | 0,61 | 0,12 | 1 | 29 | 26 | 24,4 | 4,6 | 38 |
| CR5 1 1 3 1 8T | 15,2 | 13,6 | 4000 | 3500 | 210 | 120 | 0,61 | 0,12 | 1 | 29 | 26 | 36,6 | 6,6 | 42 |
| CR5 1 1 4 1 8T | 15,8 | 13,9 | 3700 | 3200 | 210 | 120 | 0,61 | 0,12 | 1 | 29 | 26 | 48,7 | 8,7 | 46 |
| CR5 1 2 2 1 8T | 26,0 | 24,0 | 8600 | 7600 | 420 | 240 | 1,22 | 0,24 | 2 | 32 | 29 | 48,8 | 9,2 | 71 |
| CR5 1 2 3 1 8T | 30,4 | 27,2 | 8000 | 7000 | 420 | 240 | 1,22 | 0,24 | 2 | 32 | 29 | 73,2 | 13,2 | 80 |
| CR5 1 2 4 1 8T | 31,6 | 27,8 | 7400 | 6400 | 420 | 240 | 1,22 | 0,24 | 2 | 32 | 29 | 97,4 | 17,4 | 89 |
| CR5 1 3 2 1 8T | 39,0 | 36,0 | 12900 | 11400 | 630 | 360 | 1,83 | 0,36 | 3 | 33 | 30 | 73,2 | 13,8 | 107 |
| CR5 1 3 3 1 8T | 45,6 | 40,8 | 12000 | 10500 | 630 | 360 | 1,83 | 0,36 | 3 | 33 | 30 | 109,8 | 19,8 | 120 |
| CR5 1 3 4 1 8T | 47,4 | 41,7 | 11100 | 9600 | 630 | 360 | 1,83 | 0,36 | 3 | 33 | 30 | 146,1 | 26,1 | 133 |
| CR5 1 4 2 1 8T | 52,0 | 48,0 | 17200 | 15200 | 840 | 480 | 2,44 | 0,48 | 4 | 35 | 32 | 97,6 | 18,4 | 129 |
| CR5 1 4 3 1 8T | 60,8 | 54,4 | 16000 | 14000 | 840 | 480 | 2,44 | 0,48 | 4 | 35 | 32 | 146,4 | 26,4 | 145 |
| CR5 1 4 4 1 8T | 63,2 | 55,6 | 14800 | 12800 | 840 | 480 | 2,44 | 0,48 | 4 | 35 | 32 | 194,8 | 34,8 | 161 |
| CR5 2 2 2 1 8T | 52,0 | 48,0 | 17200 | 15200 | 840 | 480 | 2,44 | 0,48 | 4 | 35 | 32 | 97,6 | 18,4 | 129 |
| CR5 2 2 3 1 8T | 60,8 | 54,4 | 16000 | 14000 | 840 | 480 | 2,44 | 0,48 | 4 | 35 | 32 | 146,4 | 26,4 | 145 |
| CR5 2 2 4 1 8T | 63,2 | 55,6 | 14800 | 12800 | 840 | 480 | 2,44 | 0,48 | 4 | 35 | 32 | 194,8 | 34,8 | 161 |
| CR5 1 5 2 1 8T | 65,0 | 60,0 | 21500 | 19000 | 1050 | 600 | 3,05 | 0,6 | 5 | 36 | 33 | 122,0 | 23,0 | 161 |
| CR5 1 5 3 1 8T | 76,0 | 68,0 | 20000 | 17500 | 1050 | 600 | 3,05 | 0,6 | 5 | 36 | 33 | 183,0 | 33,0 | 181 |
| CR5 1 5 4 1 8T | 79,0 | 69,5 | 18500 | 16000 | 1050 | 600 | 3,05 | 0,6 | 5 | 36 | 33 | 243,5 | 43,5 | 201 |
| CR5 2 3 2 1 8T | 78,0 | 72,0 | 25800 | 22800 | 1260 | 720 | 3,66 | 0,72 | 6 | 37 | 34 | 146,4 | 27,6 | 209 |
| CR5 2 3 3 1 8T | 91,2 | 81,6 | 24000 | 21000 | 1260 | 720 | 3,66 | 0,72 | 6 | 37 | 34 | 219,6 | 39,6 | 235 |
| CR5 2 3 4 1 8T | 94,8 | 83,4 | 22200 | 19200 | 1260 | 720 | 3,66 | 0,72 | 6 | 37 | 34 | 292,2 | 52,2 | 261 |
| CR5 2 4 2 1 8T | 104,0 | 96,0 | 34400 | 30400 | 1680 | 960 | 4,88 | 0,96 | 8 | 38 | 35 | 195,2 | 36,8 | 250 |
| CR5 2 4 3 1 8T | 121,6 | 108,8 | 32000 | 28000 | 1680 | 960 | 4,88 | 0,96 | 8 | 38 | 35 | 292,8 | 52,8 | 282 |
| CR5 2 4 4 1 8T | 126,4 | 111,2 | 29600 | 25600 | 1680 | 960 | 4,88 | 0,96 | 8 | 38 | 35 | 389,6 | 69,6 | 314 |
| CR5 2 5 2 1 8T | 130,0 | 120,0 | 43000 | 38000 | 2100 | 1200 | 6,1 | 1,2 | 10 | 39 | 36 | 244,0 | 46,0 | 313 |
| CR5 2 5 3 1 8T | 152,0 | 136,0 | 40000 | 35000 | 2100 | 1200 | 6,1 | 1,2 | 10 | 39 | 36 | 366,0 | 66,0 | 353 |
| CR5 2 5 4 1 8T | 158, | | | | | | | | | | | | | |

Remote Condensers CR6

| MODEL | Capacity (kW) | | Air flow (m3/h) | | Motorfans date 400V/3/50Hz | | | | Noise level | | Surface (m2) | Internal volume (dm3) | Weight (Kg) | |
|----------------|-----------------|-----------------|-----------------|-----------------|----------------------------|----------------------|------------------------|------------------------|-------------|---------------|--------------|-----------------------|-------------|---------------|
| | 4p "Δ" 1330 rpm | 4p "λ" 1070 rpm | 4p "Δ" 1330 rpm | 4p "λ" 1070 rpm | Watt 4 p "Δ" 1330 rpm | Watt 6p "λ" 1070 rpm | Ampere 4p "Δ" 1330 rpm | Ampere 6p "λ" 1070 rpm | N° x Ø 630 | dB(A) "Δ" 10m | | | | dB(A) "λ" 10m |
| CR6 1 1 3 1 4T | 38,8 | 34,5 | 12700 | 10500 | 1250 | 840 | 2,5 | 1,5 | 1 | 49 | 44 | 56,5 | 8,9 | 67 |
| CR6 1 1 4 1 4T | 45,1 | 39,3 | 12100 | 9900 | 1250 | 840 | 2,5 | 1,5 | 1 | 49 | 44 | 75,0 | 11,9 | 74 |
| CR6 1 2 3 1 4T | 77,6 | 69,0 | 25400 | 21000 | 2500 | 1680 | 5,0 | 3,0 | 2 | 52 | 47 | 113,0 | 17,8 | 125 |
| CR6 1 2 4 1 4T | 90,2 | 78,6 | 24200 | 19800 | 2500 | 1680 | 5,0 | 3,0 | 2 | 52 | 47 | 150,0 | 23,8 | 138 |
| CR6 1 3 3 1 4T | 116,4 | 103,5 | 38100 | 31500 | 3750 | 2520 | 7,5 | 4,5 | 3 | 53 | 48 | 169,5 | 26,7 | 189 |
| CR6 1 3 4 1 4T | 135,3 | 117,9 | 36300 | 29700 | 3750 | 2520 | 7,5 | 4,5 | 3 | 53 | 48 | 225,0 | 35,7 | 209 |
| CR6 1 4 3 1 4T | 155,2 | 138,0 | 50800 | 42000 | 5000 | 3360 | 10,0 | 6,0 | 4 | 55 | 50 | 226,0 | 35,6 | 244 |
| CR6 1 4 4 1 4T | 180,4 | 157,2 | 48400 | 39600 | 5000 | 3360 | 10,0 | 6,0 | 4 | 55 | 50 | 300,0 | 47,6 | 270 |
| CR6 2 2 3 1 4T | 155,2 | 138,0 | 50800 | 42000 | 5000 | 3360 | 10,0 | 6,0 | 4 | 55 | 50 | 226,0 | 35,6 | 244 |
| CR6 2 2 4 1 4T | 180,4 | 157,2 | 48400 | 39600 | 5000 | 3360 | 10,0 | 6,0 | 4 | 55 | 50 | 300,0 | 47,6 | 270 |
| CR6 1 5 3 1 4T | 194,0 | 172,5 | 63500 | 52500 | 6250 | 4200 | 12,5 | 7,5 | 5 | 56 | 51 | 282,5 | 44,5 | 300 |
| CR6 1 5 4 1 4T | 225,5 | 196,5 | 60500 | 49500 | 6250 | 4200 | 12,5 | 7,5 | 5 | 56 | 51 | 375,0 | 59,5 | 332 |
| CR6 1 6 3 1 4T | 232,8 | 207,0 | 76200 | 63000 | 7500 | 5040 | 15,0 | 9,0 | 6 | 57 | 52 | 339,0 | 53,4 | 368 |
| CR6 1 6 4 1 4T | 270,6 | 235,8 | 72600 | 59400 | 7500 | 5040 | 15,0 | 9,0 | 6 | 57 | 52 | 450,0 | 71,4 | 410 |
| CR6 2 3 3 1 4T | 232,8 | 207,0 | 76200 | 63000 | 7500 | 5040 | 15,0 | 9,0 | 6 | 57 | 52 | 339,0 | 53,4 | 368 |
| CR6 2 3 4 1 4T | 270,6 | 235,8 | 72600 | 59400 | 7500 | 5040 | 15,0 | 9,0 | 6 | 57 | 52 | 450,0 | 71,4 | 410 |
| CR6 2 4 3 1 4T | 310,4 | 276,0 | 101600 | 84000 | 10000 | 6720 | 20,0 | 12,0 | 8 | 58 | 53 | 452,0 | 71,2 | 474 |
| CR6 2 4 4 1 4T | 360,8 | 314,4 | 96800 | 79200 | 10000 | 6720 | 20,0 | 12,0 | 8 | 58 | 53 | 600,0 | 95,2 | 530 |
| CR6 2 5 3 1 4T | 388,0 | 345,0 | 127000 | 105000 | 12500 | 8400 | 25,0 | 15,0 | 10 | 59 | 54 | 565 | 89 | 588 |
| CR6 2 5 4 1 4T | 451,0 | 393,0 | 121000 | 99000 | 12500 | 8400 | 25,0 | 15,0 | 10 | 59 | 54 | 750 | 119 | 652 |
| CR6 2 6 3 1 4T | 465,6 | 414,0 | 152400 | 126000 | 15000 | 10080 | 30,0 | 18,0 | 12 | 60 | 55 | 730 | 107 | 706 |
| CR6 2 6 4 1 4T | 541,2 | 471,6 | 145200 | 118800 | 15000 | 10080 | 30,0 | 18,0 | 12 | 60 | 55 | 810 | 143 | 782 |

| MODEL | 6p "Δ" 850 rpm | 6p "λ" 620 rpm | 6p "Δ" 850 rpm | 6p "λ" 620 rpm | Watt 6p "Δ" 850 rpm | Watt 6p "λ" 620 rpm | Ampere 6p "Δ" 850 rpm | Ampere 6p "λ" 620 rpm | N° x Ø 630 | dB(A) "Δ" 10m | dB(A) "λ" 10m | Surface (m2) | Internal volume (dm3) | Weight (Kg) |
|----------------|----------------|----------------|----------------|----------------|---------------------|---------------------|-----------------------|-----------------------|------------|---------------|---------------|--------------|-----------------------|-------------|
| CR6 1 1 3 1 6T | 34,2 | 27,4 | 10500 | 7700 | 740 | 440 | 1,4 | 0,8 | 1 | 39 | 33 | 56,5 | 8,9 | 67 |
| CR6 1 1 4 1 6T | 39,0 | 31,3 | 9800 | 7200 | 740 | 440 | 1,4 | 0,8 | 1 | 39 | 33 | 75,0 | 11,9 | 74 |
| CR6 1 2 3 1 6T | 68,4 | 54,8 | 21000 | 15400 | 1480 | 880 | 2,8 | 1,6 | 2 | 42 | 36 | 113,0 | 17,8 | 125 |
| CR6 1 2 4 1 6T | 78,0 | 62,6 | 19600 | 14400 | 1480 | 880 | 2,8 | 1,6 | 2 | 42 | 36 | 150,0 | 23,8 | 138 |
| CR6 1 3 3 1 6T | 102,6 | 82,2 | 31500 | 23100 | 2220 | 1320 | 4,2 | 2,4 | 3 | 43 | 37 | 169,5 | 26,7 | 189 |
| CR6 1 3 4 1 6T | 117,0 | 93,9 | 29400 | 21600 | 2220 | 1320 | 4,2 | 2,4 | 3 | 43 | 37 | 225,0 | 35,7 | 209 |
| CR6 1 4 3 1 6T | 136,8 | 109,6 | 42000 | 30800 | 2960 | 1760 | 5,6 | 3,2 | 4 | 45 | 39 | 226,0 | 35,6 | 244 |
| CR6 1 4 4 1 6T | 156,0 | 125,2 | 39200 | 28800 | 2960 | 1760 | 5,6 | 3,2 | 4 | 45 | 39 | 300,0 | 47,6 | 270 |
| CR6 2 2 3 1 6T | 136,8 | 109,6 | 42000 | 30800 | 2960 | 1760 | 5,6 | 3,2 | 4 | 45 | 39 | 226,0 | 35,6 | 244 |
| CR6 2 2 4 1 6T | 156,0 | 125,2 | 39200 | 28800 | 2960 | 1760 | 5,6 | 3,2 | 4 | 45 | 39 | 300,0 | 47,6 | 270 |
| CR6 1 5 3 1 6T | 171,0 | 137,0 | 52500 | 38500 | 3700 | 2200 | 7,0 | 4,0 | 5 | 46 | 40 | 282,5 | 44,5 | 300 |
| CR6 1 5 4 1 6T | 195,0 | 156,5 | 49000 | 36000 | 3700 | 2200 | 7,0 | 4,0 | 5 | 46 | 40 | 375,0 | 59,5 | 332 |
| CR6 1 6 3 1 6T | 205,2 | 164,4 | 63000 | 46200 | 4440 | 2640 | 8,4 | 4,8 | 6 | 47 | 41 | 339,0 | 53,4 | 368 |
| CR6 1 6 4 1 6T | 234,0 | 187,8 | 58800 | 43200 | 4440 | 2640 | 8,4 | 4,8 | 6 | 47 | 41 | 450,0 | 71,4 | 410 |
| CR6 2 3 3 1 6T | 205,2 | 164,4 | 63000 | 46200 | 4440 | 2640 | 8,4 | 4,8 | 6 | 47 | 41 | 339,0 | 53,4 | 368 |
| CR6 2 3 4 1 6T | 234,0 | 187,8 | 58800 | 43200 | 4440 | 2640 | 8,4 | 4,8 | 6 | 47 | 41 | 450,0 | 71,4 | 410 |
| CR6 2 4 3 1 6T | 273,6 | 219,2 | 84000 | 61600 | 5920 | 3520 | 11,2 | 6,4 | 8 | 48 | 42 | 452,0 | 71,2 | 474 |
| CR6 2 4 4 1 6T | 312,0 | 250,4 | 78400 | 57600 | 5920 | 3520 | 11,2 | 6,4 | 8 | 48 | 42 | 600,0 | 95,2 | 530 |
| CR6 2 5 3 1 6T | 342,0 | 274,0 | 105000 | 77000 | 7400 | 4400 | 14,0 | 8,0 | 10,0 | 49 | 43 | 565 | 89 | 588 |
| CR6 2 5 4 1 6T | 390,0 | 313,0 | 98000 | 72000 | 7400 | 4400 | 14,0 | 8,0 | 10,0 | 49 | 43 | 750 | 119 | 652 |
| CR6 2 6 3 1 6T | 410,4 | 328,8 | 126000 | 92400 | 8880 | 5280 | 16,8 | 9,6 | 12,0 | 50 | 44 | 730 | 107 | 706 |
| CR6 2 6 4 1 6T | 468,0 | 375,6 | 117600 | 86400 | 8880 | 5280 | 16,8 | 9,6 | 12,0 | 50 | 44 | 810 | 143 | 782 |

| MODEL | 8p "Δ" 660 rpm | 8p "λ" 520 rpm | 12p "Δ" 435 rpm | 12p "λ" 330 rpm | Watt 12p "Δ" 460 rpm | Watt 12p "λ" 290 rpm | Ampere 12p "Δ" 460 rpm | Ampere 12p "λ" 290 rpm | N° x Ø 630 | dB(A) "Δ" 10m | dB(A) "λ" 10m | Surface (m2) | Internal volume (dm3) | Weight (Kg) |
|----------------|----------------|----------------|-----------------|-----------------|----------------------|----------------------|------------------------|------------------------|------------|---------------|---------------|--------------|-----------------------|-------------|
| CR6 1 1 3 1 8T | 26,7 | 22,8 | 7200 | 5750 | 330 | 190 | 0,85 | 0,40 | 1 | 33 | 28 | 56,5 | 8,9 | 67 |
| CR6 1 1 4 1 8T | 30,3 | 25,1 | 6900 | 5350 | 330 | 190 | 0,85 | 0,40 | 1 | 33 | 28 | 75,0 | 11,9 | 74 |
| CR6 1 2 3 1 8T | 53,4 | 45,6 | 14400 | 11500 | 660 | 380 | 1,70 | 0,80 | 2 | 36 | 31 | 113,0 | 17,8 | 125 |
| CR6 1 2 4 1 8T | 60,6 | 50,2 | 13800 | 10700 | 660 | 380 | 1,70 | 0,80 | 2 | 36 | 31 | 150,0 | 23,8 | 138 |
| CR6 1 3 3 1 8T | 80,1 | 68,4 | 21600 | 17250 | 990 | 570 | 2,55 | 1,20 | 3 | 37 | 32 | 169,5 | 26,7 | 189 |
| CR6 1 3 4 1 8T | 90,9 | 75,3 | 20700 | 16050 | 990 | 570 | 2,55 | 1,20 | 3 | 37 | 32 | 225,0 | 35,7 | 209 |
| CR6 1 4 3 1 8T | 106,8 | 91,2 | 28800 | 23000 | 1320 | 760 | 3,40 | 1,60 | 4 | 39 | 34 | 226,0 | 35,6 | 244 |
| CR6 1 4 4 1 8T | 121,2 | 100,4 | 27600 | 21400 | 1320 | 760 | 3,40 | 1,60 | 4 | 39 | 34 | 300,0 | 47,6 | 270 |
| CR6 2 2 3 1 8T | 106,8 | 91,2 | 28800 | 23000 | 1320 | 760 | 3,40 | 1,60 | 4 | 39 | 34 | 226,0 | 35,6 | 244 |
| CR6 2 2 4 1 8T | 121,2 | 100,4 | 27600 | 21400 | 1320 | 760 | 3,40 | 1,60 | 4 | 39 | 34 | 300,0 | 47,6 | 270 |
| CR6 1 5 3 1 8T | 133,5 | 114,0 | 36000 | 28750,0 | 1650 | 950 | 4,25 | 2,00 | 5 | 40 | 35 | 282,5 | 44,5 | 300 |
| CR6 1 5 4 1 8T | 151,5 | 125,5 | 34500 | 26750,0 | 1650 | 950 | 4,25 | 2,00 | 5 | 40 | 35 | 375,0 | 59,5 | 332 |
| CR6 1 6 3 1 8T | 160,2 | 136,8 | 43200 | 34500 | 1980 | 1140 | 5,10 | 2,40 | 6 | 41 | 36 | 339,0 | 53,4 | 368 |
| CR6 1 6 4 1 8T | 181,8 | 150,6 | 41400 | 32100 | 1980 | 1140 | 5,10 | 2,40 | 6 | 41 | 36 | 450,0 | 71,4 | 410 |
| CR6 2 3 3 1 8T | 160,2 | 136,8 | 43200 | 34500 | 1980 | 1140 | 5,10 | 2,40 | 6 | 41 | 36 | 339,0 | 53,4 | 368 |
| CR6 2 3 4 1 8T | 181,8 | 150,6 | 41400 | 32100 | 1980 | 1140 | 5,10 | 2,40 | 6 | 41 | 36 | 450,0 | 71,4 | 410 |
| CR6 2 4 3 1 8T | 213,6 | 182,4 | 57600 | 46000 | 2640 | 1520 | 6,80 | 3,20 | 8 | 42 | 37 | 452,0 | 71,2 | 474 |
| CR6 2 4 4 1 8T | 242,4 | 200,8 | 55200 | 42800 | 2640 | 1520 | 6,80 | 3,20 | 8 | 42 | 37 | 600,0 | 95,2 | 530 |
| CR6 2 5 3 1 8T | 267,0 | 228,0 | 72000 | 57500 | 3300 | 1900 | 8,50 | 4,00 | 10 | 43 | 38 | 565 | 89 | 588 |
| CR6 2 5 4 1 8T | 303,0 | 251,0 | 69000 | 53500 | 3300 | 1900 | 8,50 | 4,00 | 10 | 43 | 38 | 750 | 119 | 652 |
| CR6 2 6 3 1 8T | 320,4 | 273,6 | 86400 | 69000 | 3960 | 2280 | 10,20 | 4,80 | 12 | 44 | 39 | 730 | 107 | 706 |
| CR6 2 6 4 1 8T | 363,6 | 301,2 | 82800 | 64200 | 3960 | 2280 | 10,20 | 4,80 | 12 | 44 | 39 | 810 | 143 | 782 |

| MODEL | 12p "Δ" 460 rpm | 12p "λ" 290 rpm | 12p "Δ" 460 rpm | 12p "λ" 290 rpm | Watt 12p "Δ" 460 rpm | Watt 12p "λ" 290 rpm | Ampere 12p "Δ" 460 rpm | Ampere 12p "λ" 290 rpm | N° x Ø 630 | dB(A) "Δ" 10m | dB(A) "λ" 10m | Surface (m2) | Internal volume (dm3) | Weight (Kg) |
|-----------------|-----------------|-----------------|-----------------|-----------------|----------------------|----------------------|------------------------|------------------------|------------|---------------|---------------|--------------|-----------------------|-------------|
| CR6 1 1 3 1 12T | 20,3 | 13,7 | 4900 | 2900 | 150 | 60 | 0,35 | 0,13 | 1 | 26 | 19 | 56,5 | 8,9 | 67 |
| CR6 1 1 4 1 12T | 22,1 | 14,3 | 4550 | 2700 | 150 | 60 | 0,35 | 0,13 | 1 | 26 | 19 | 75,0 | 11,9 | 74 |
| CR6 1 2 3 1 12T | 40,6 | 27,4 | 9800 | 5800 | 300 | 120 | 0,70 | 0,26 | 2 | 29 | 22 | 113,0 | 17,8 | 125 |
| CR6 1 2 4 1 12T | 44,2 | 28,6 | 9100 | 5400 | 300 | 120 | 0,70 | 0,26 | 2 | 29 | 22 | 150,0 | 23,8 | 138 |
| CR6 1 3 3 1 12T | 60,9 | 41,1 | 14700 | 8700 | 450 | 180 | 1,05 | 0,39 | 3 | 30 | 23 | 169,5 | 26,7 | 189 |
| CR6 1 3 4 1 12T | 66,3 | 42,9 | 13650 | 8100 | 450 | 180 | 1,05 | 0,39 | 3 | 30 | 23 | 225,0 | 35,7 | 209 |
| CR6 1 4 3 1 12T | 81,2 | 54,8 | 19600 | 11600 | 600 | 240 | 1,40 | 0,52 | 4 | 32 | 25 | 226,0 | 35,6 | 244 |
| CR6 1 4 4 1 12T | 88,4 | 57,2 | 18200 | 10800 | 600 | 240 | 1,40 | 0,52 | 4 | 32 | 25 | 300,0 | 47,6 | 270 |
| CR6 2 2 3 1 12T | 81,2 | 54,8 | 19600 | 11600 | 600 | 240 | 1,40 | 0,52 | 4 | 32 | 25 | 226,0 | 35,6 | 244 |
| CR6 2 2 4 1 12T | 88,4 | 57,2 | 18200 | 10800 | 600 | 240 | 1,40 | 0,52 | 4 | 32 | 25 | 300,0 | 47,6 | 270 |
| CR6 1 5 3 1 12T | 101,5 | 68,5 | 24500 | 14500 | 750 | 300 | 1,75 | 0,65 | 5 | 32 | 26 | 282,5 | 44,5 | 300 |
| CR6 1 5 4 1 12T | 110,5 | 71,5 | 22750 | 13500 | | | | | | | | | | |

| MODEL | Capacity (kW) | | Air flow (m3/h) | | Motorfans date 400V/3/50Hz | | | | | Noise level | | Surface (m2) | internal volume (dm3) | Weigth (Kg) |
|----------------|----------------|----------------|-----------------|----------------|----------------------------|---------------------|-----------------------|-----------------------|------------|---------------|---------------|--------------|-----------------------|-------------|
| | 6p "Δ" 885 rpm | 6p "λ" 670 rpm | 6p "Δ" 885 rpm | 6p "λ" 670 rpm | Watt 6p "Δ" 885 rpm | Watt 6p "λ" 670 rpm | Ampere 6p "Δ" 885 rpm | Ampere 6p "λ" 670 rpm | N° x Ø 710 | dB(A) "Δ" 10m | dB(A) "λ" 10m | | | |
| CR7 1 1 3 1 6T | 40,7 | 35,0 | 12400 | 9900 | 860 | 530 | 1,8 | 1,0 | 1 | 42 | 36 | 67,8 | 10,7 | 80 |
| CR7 1 1 4 1 6T | 46,7 | 39,5 | 11800 | 9300 | 860 | 530 | 1,8 | 1,0 | 1 | 42 | 36 | 90,4 | 14,3 | 88 |
| CR7 1 2 3 1 6T | 81,4 | 70,0 | 24800 | 19800 | 1720 | 1060 | 3,6 | 2,0 | 2 | 45 | 39 | 135,6 | 21,4 | 150 |
| CR7 1 2 4 1 6T | 93,4 | 79,0 | 23600 | 18600 | 1720 | 1060 | 3,6 | 2,0 | 2 | 45 | 39 | 180,8 | 28,6 | 166 |
| CR7 1 3 3 1 6T | 122,1 | 105,0 | 37200 | 29700 | 2580 | 1590 | 5,4 | 3,0 | 3 | 46 | 40 | 203,4 | 32,1 | 221 |
| CR7 1 3 4 1 6T | 140,1 | 118,5 | 35400 | 27900 | 2580 | 1590 | 5,4 | 3,0 | 3 | 46 | 40 | 271,2 | 42,9 | 245 |
| CR7 1 4 3 1 6T | 162,8 | 140,0 | 49600 | 39600 | 3440 | 2120 | 7,2 | 4,0 | 4 | 48 | 42 | 271,2 | 42,8 | 293 |
| CR7 1 4 4 1 6T | 186,8 | 158,0 | 47200 | 37200 | 3440 | 2120 | 7,2 | 4,0 | 4 | 48 | 42 | 361,6 | 57,2 | 325 |
| CR7 2 2 3 1 6T | 162,8 | 140,0 | 49600 | 39600 | 3440 | 2120 | 7,2 | 4,0 | 4 | 48 | 42 | 271,2 | 42,8 | 293 |
| CR7 2 2 4 1 6T | 186,8 | 158,0 | 47200 | 37200 | 3440 | 2120 | 7,2 | 4,0 | 4 | 48 | 42 | 361,6 | 57,2 | 325 |
| CR7 1 5 3 1 6T | 203,5 | 175 | 62000 | 49500 | 4300 | 2650 | 9,0 | 5,0 | 5 | 49 | 43 | 339,0 | 53,5 | 360 |
| CR7 1 5 4 1 6T | 233,5 | 197,5 | 59000 | 46500 | 4300 | 2650 | 9,0 | 5,0 | 5 | 49 | 43 | 452,0 | 71,5 | 400 |
| CR7 1 6 3 1 6T | 244,2 | 210,0 | 74400 | 59400 | 5160 | 3180 | 10,8 | 6,0 | 6 | 50 | 44 | 406,8 | 64,2 | 422 |
| CR7 1 6 4 1 6T | 280,2 | 237,0 | 70800 | 55800 | 5160 | 3180 | 10,8 | 6,0 | 6 | 50 | 44 | 542,4 | 85,8 | 470 |
| CR7 2 3 3 1 6T | 244,2 | 210,0 | 74400 | 59400 | 5160 | 3180 | 10,8 | 6,0 | 6 | 50 | 44 | 406,8 | 64,2 | 422 |
| CR7 2 3 4 1 6T | 280,2 | 237,0 | 70800 | 55800 | 5160 | 3180 | 10,8 | 6,0 | 6 | 50 | 44 | 542,4 | 85,8 | 470 |
| CR7 2 4 3 1 6T | 325,6 | 280,0 | 99200 | 79200 | 6880 | 4240 | 14,4 | 8,0 | 8 | 51 | 45 | 542,4 | 85,6 | 554 |
| CR7 2 4 4 1 6T | 373,6 | 316,0 | 94400 | 74400 | 6880 | 4240 | 14,4 | 8,0 | 8 | 51 | 45 | 723,2 | 114,4 | 618 |
| CR7 2 5 3 1 6T | 407,0 | 350,0 | 124000 | 99000 | 8600 | 5300 | 18,0 | 10,0 | 10 | 52,0 | 46,0 | 678,0 | 107,0 | 705 |
| CR7 2 5 4 1 6T | 467,0 | 395,0 | 118000 | 93000 | 8600 | 5300 | 18,0 | 10,0 | 10 | 52,0 | 46,0 | 904,0 | 143,0 | 785 |
| CR7 2 6 3 1 6T | 488,4 | 420,0 | 148800 | 118800 | 10320 | 6360 | 21,6 | 12,0 | 12 | 53,0 | 47,0 | 813,6 | 128,4 | 846 |
| CR7 2 6 4 1 6T | 560,4 | 474,0 | 141600 | 111600 | 10320 | 6360 | 21,6 | 12,0 | 12 | 53,0 | 47,0 | 1085,0 | 171,6 | 942 |

FLOATED FINS BLOCK FOR **CR6 – CR7 – CR8**



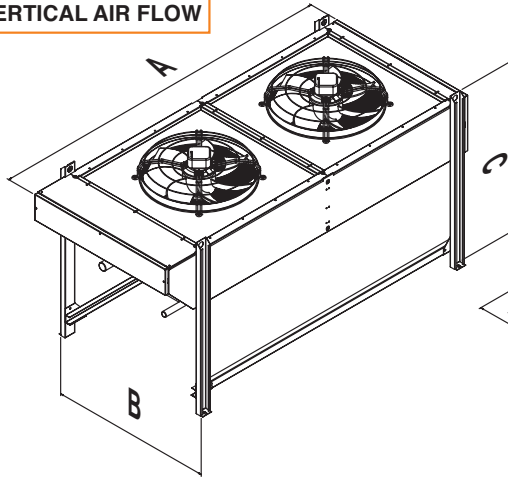
Remote Condensers CR8

| MODEL | Capacity (kW) | | Air flow (m3/h) | | Motofans date 400V/3/50Hz | | | | Noise level | | Surface (m2) | internal volume (dm3) | Weight (Kg) | |
|----------------|----------------|----------------|-----------------|----------------|---------------------------|---------------------|-----------------------|-----------------------|-------------|---------------|--------------|-----------------------|-------------|---------------|
| | 6p "Δ" 895 rpm | 6p "λ" 685 rpm | 6p "Δ" 895 rpm | 6p "λ" 685 rpm | Watt 6p "Δ" 895 rpm | Watt 6p "λ" 685 rpm | Ampere 6p "Δ" 895 rpm | Ampere 6p "λ" 685 rpm | N° x Ø 800 | dB(A) "Δ" 10m | | | | dB(A) "λ" 10m |
| CR8 1 1 3 1 6T | 75 | 62 | 22000 | 17000 | 2000 | 1270 | 4,3 | 2,5 | 1 | 45 | 41 | 104 | 17 | 195 |
| CR8 1 1 4 1 6T | 82 | 66 | 21000 | 16200 | 2000 | 1270 | 4,3 | 2,5 | 1 | 45 | 41 | 137 | 22 | 205 |
| CR8 1 2 3 1 6T | 150 | 124 | 44000 | 34000 | 4000 | 2540 | 8,6 | 5,0 | 2 | 48 | 44 | 208 | 34 | 282 |
| CR8 1 2 4 1 6T | 164 | 132 | 42000 | 32400 | 4000 | 2540 | 8,6 | 5,0 | 2 | 48 | 44 | 274 | 44 | 308 |
| CR8 1 3 3 1 6T | 225 | 186 | 66000 | 51000 | 6000 | 3810 | 12,9 | 7,5 | 3 | 49 | 45 | 312 | 51 | 400 |
| CR8 1 3 4 1 6T | 246 | 198 | 63000 | 48600 | 6000 | 3810 | 12,9 | 7,5 | 3 | 49 | 45 | 411 | 66 | 445 |
| CR8 1 4 3 1 6T | 300 | 248 | 88000 | 68000 | 8000 | 5080 | 17,2 | 10,0 | 4 | 51 | 47 | 416 | 68 | 580 |
| CR8 1 4 4 1 6T | 328 | 264 | 84000 | 64800 | 8000 | 5080 | 17,2 | 10,0 | 4 | 51 | 47 | 548 | 88 | 620 |
| CR8 2 2 3 1 6T | 300 | 248 | 88000 | 68000 | 8000 | 5080 | 17,2 | 10,0 | 4 | 51 | 47 | 416 | 68 | 580 |
| CR8 2 2 4 1 6T | 328 | 264 | 84000 | 64800 | 8000 | 5080 | 17,2 | 10,0 | 4 | 51 | 47 | 548 | 88 | 620 |
| CR8 1 5 3 1 6T | 375 | 310 | 110000 | 85000 | 10000 | 6350 | 21,5 | 12,5 | 5 | 52 | 48 | 520 | 85 | 660 |
| CR8 1 5 4 1 6T | 410 | 330 | 105000 | 81000 | 10000 | 6350 | 21,5 | 12,5 | 5 | 52 | 48 | 685 | 110 | 700 |
| CR8 1 6 3 1 6T | 450 | 372 | 132000 | 102000 | 12000 | 7620 | 25,8 | 15,0 | 6 | 53 | 49 | 624 | 102 | 800 |
| CR8 1 6 4 1 6T | 492 | 396 | 126000 | 97200 | 12000 | 7620 | 25,8 | 15,0 | 6 | 53 | 49 | 822 | 132 | 890 |
| CR8 2 3 3 1 6T | 450 | 372 | 132000 | 102000 | 12000 | 7620 | 25,8 | 15,0 | 6 | 53 | 49 | 624 | 102 | 800 |
| CR8 2 3 4 1 6T | 492 | 396 | 126000 | 97200 | 12000 | 7620 | 25,8 | 15,0 | 6 | 53 | 49 | 822 | 132 | 890 |
| CR8 2 4 3 1 6T | 600 | 496 | 176000 | 136000 | 16000 | 10160 | 34,4 | 20,0 | 8 | 54 | 50 | 832 | 136 | 1060 |
| CR8 2 4 4 1 6T | 656 | 528 | 168000 | 129600 | 16000 | 10160 | 34,4 | 20,0 | 8 | 54 | 50 | 1096 | 176 | 1120 |
| CR8 2 5 3 1 6T | 750 | 620 | 220000 | 170000 | 20000 | 12700 | 43,0 | 25,0 | 10 | 55 | 51 | 1040 | 170 | 1325 |
| CR8 2 5 4 1 6T | 820 | 660 | 210000 | 162000 | 20000 | 12700 | 43,0 | 25,0 | 10 | 55 | 51 | 1370 | 220 | 1395 |
| CR8 2 6 3 1 6T | 900 | 744 | 264000 | 204000 | 24000 | 15240 | 51,6 | 30,0 | 12 | 56 | 52 | 1248 | 204 | 1560 |
| CR8 2 6 4 1 6T | 984 | 792 | 252000 | 194400 | 24000 | 15240 | 51,6 | 30,0 | 12 | 56 | 52 | 1644 | 264 | 1780 |

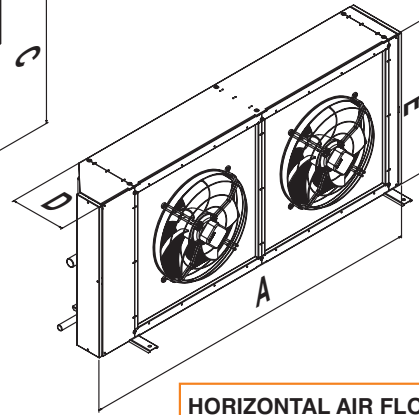
| MODEL | 8p "Δ" 660 rpm | 8p "λ" 515 rpm | 8p "Δ" 660 rpm | 8p "λ" 515 rpm | Watt 8p "Δ" 660 rpm | Watt 8p "λ" 515 rpm | Ampere 8p "Δ" 660 rpm | Ampere 8p "λ" 515 rpm | N° x Ø 800 | dB(A) "Δ" 10m | dB(A) "λ" 10m | Surface (m2) | internal volume (dm3) | Weight (Kg) |
|----------------|----------------|----------------|----------------|----------------|---------------------|---------------------|-----------------------|-----------------------|------------|---------------|---------------|--------------|-----------------------|-------------|
| CR8 1 1 3 1 8T | 60 | 51 | 16300 | 13400 | 980 | 570 | 2,4 | 1,2 | 1 | 41 | 36 | 104 | 17 | 195 |
| CR8 1 1 4 1 8T | 64 | 53 | 15500 | 12200 | 980 | 570 | 2,4 | 1,2 | 1 | 41 | 36 | 137 | 22 | 205 |
| CR8 1 2 3 1 8T | 120 | 102 | 32600 | 26800 | 1960 | 1140 | 4,8 | 2,4 | 2 | 44 | 39 | 208 | 34 | 282 |
| CR8 1 2 4 1 8T | 128 | 106 | 31000 | 24400 | 1960 | 1140 | 4,8 | 2,4 | 2 | 44 | 39 | 274 | 44 | 308 |
| CR8 1 3 3 1 8T | 180 | 153 | 48900 | 40200 | 2940 | 1710 | 7,2 | 3,6 | 3 | 45 | 40 | 312 | 51 | 400 |
| CR8 1 3 4 1 8T | 192 | 159 | 46500 | 36600 | 2940 | 1710 | 7,2 | 3,6 | 3 | 45 | 40 | 411 | 66 | 445 |
| CR8 1 4 3 1 8T | 240 | 204 | 65200 | 53600 | 3920 | 2280 | 9,6 | 4,8 | 4 | 47 | 42 | 416 | 68 | 580 |
| CR8 1 4 4 1 8T | 256 | 212 | 62000 | 48800 | 3920 | 2280 | 9,6 | 4,8 | 4 | 47 | 42 | 548 | 88 | 620 |
| CR8 2 2 3 1 8T | 240 | 204 | 65200 | 53600 | 3920 | 2280 | 9,6 | 4,8 | 4 | 47 | 42 | 416 | 68 | 580 |
| CR8 2 2 4 1 8T | 256 | 212 | 62000 | 48800 | 3920 | 2280 | 9,6 | 4,8 | 4 | 47 | 42 | 548 | 88 | 620 |
| CR8 1 5 3 1 8T | 300 | 255 | 81500 | 67000 | 4900 | 2850 | 12,1 | 6,1 | 5 | 48 | 43 | 520 | 85 | 660 |
| CR8 1 5 4 1 8T | 320 | 265 | 77500 | 61000 | 4900 | 2850 | 12,1 | 6,1 | 5 | 48 | 43 | 685 | 110 | 700 |
| CR8 1 6 3 1 8T | 360 | 306 | 97800 | 80400 | 5880 | 3420 | 14,5 | 7,3 | 6 | 49 | 44 | 624 | 102 | 800 |
| CR8 1 6 4 1 8T | 384 | 318 | 93000 | 73200 | 5880 | 3420 | 14,5 | 7,3 | 6 | 49 | 44 | 822 | 132 | 890 |
| CR8 2 3 3 1 8T | 360 | 306 | 97800 | 80400 | 5880 | 3420 | 14,5 | 7,3 | 6 | 49 | 44 | 624 | 102 | 800 |
| CR8 2 3 4 1 8T | 384 | 318 | 93000 | 73200 | 5880 | 3420 | 14,5 | 7,3 | 6 | 49 | 44 | 822 | 132 | 890 |
| CR8 2 4 3 1 8T | 480 | 408 | 130400 | 107200 | 7840 | 4560 | 19,3 | 9,7 | 8 | 50 | 45 | 832 | 136 | 1060 |
| CR8 2 4 4 1 8T | 512 | 424 | 124000 | 97600 | 7840 | 4560 | 19,3 | 9,7 | 8 | 50 | 45 | 1096 | 176 | 1120 |
| CR8 2 5 3 1 8T | 600 | 510 | 163000 | 134000 | 9800 | 5700 | 24,1 | 12,1 | 10 | 51 | 46 | 1040 | 170 | 1325 |
| CR8 2 5 4 1 8T | 640 | 530 | 155000 | 122000 | 9800 | 5700 | 24,1 | 12,1 | 10 | 51 | 46 | 1370 | 220 | 1395 |
| CR8 2 6 3 1 8T | 720 | 612 | 195600 | 160800 | 11760 | 6840 | 29 | 14,5 | 12 | 52 | 47 | 1248 | 204 | 1560 |
| CR8 2 6 4 1 8T | 768 | 636 | 186000 | 146400 | 11760 | 6840 | 29 | 14,5 | 12 | 52 | 47 | 1644 | 264 | 1780 |

| MODEL | 12p "Δ" 435 rpm | 12p "λ" 330 rpm | 12p "Δ" 435 rpm | 12p "λ" 330 rpm | Watt 12p "Δ" 460 rpm | Watt 12p "λ" 290 rpm | Ampere 12p "Δ" 460 rpm | Ampere 12p "λ" 290 rpm | N° x Ø 800 | dB(A) "Δ" 10m | dB(A) "λ" 10m | Surface (m2) | internal volume (dm3) | Weight (Kg) |
|-----------------|-----------------|-----------------|-----------------|-----------------|----------------------|----------------------|------------------------|------------------------|------------|---------------|---------------|--------------|-----------------------|-------------|
| CR8 1 1 3 1 12T | 41 | 35 | 10300 | 8300 | 370 | 200 | 1,2 | 0,5 | 1 | 31 | 28 | 104 | 17 | 195 |
| CR8 1 1 4 1 12T | 43 | 36 | 9700 | 7900 | 370 | 200 | 1,2 | 0,5 | 1 | 31 | 28 | 137 | 22 | 205 |
| CR8 1 2 3 1 12T | 82 | 70 | 20600 | 16600 | 740 | 400 | 2,3 | 1,0 | 2 | 34 | 31 | 208 | 34 | 282 |
| CR8 1 2 4 1 12T | 86 | 72 | 19400 | 15800 | 740 | 400 | 2,3 | 1,0 | 2 | 34 | 31 | 274 | 44 | 308 |
| CR8 1 3 3 1 12T | 123 | 105 | 30900 | 24900 | 1110 | 600 | 3,5 | 1,4 | 3 | 35 | 32 | 312 | 51 | 400 |
| CR8 1 3 4 1 12T | 129 | 108 | 29100 | 23700 | 1110 | 600 | 3,5 | 1,4 | 3 | 35 | 32 | 411 | 66 | 445 |
| CR8 1 4 3 1 12T | 164 | 140 | 41200 | 33200 | 1480 | 800 | 4,6 | 1,9 | 4 | 37 | 34 | 416 | 68 | 580 |
| CR8 1 4 4 1 12T | 172 | 144 | 38800 | 31600 | 1480 | 800 | 4,6 | 1,9 | 4 | 37 | 34 | 548 | 88 | 620 |
| CR8 2 2 3 1 12T | 164 | 140 | 41200 | 33200 | 1480 | 800 | 4,6 | 1,9 | 4 | 37 | 34 | 416 | 68 | 580 |
| CR8 2 2 4 1 12T | 172 | 144 | 38800 | 31600 | 1480 | 800 | 4,6 | 1,9 | 4 | 37 | 34 | 548 | 88 | 620 |
| CR8 1 5 3 1 12T | 205 | 175 | 51500 | 41500 | 1850 | 1000 | 5,8 | 2,4 | 5 | 38 | 35 | 520 | 85 | 660 |
| CR8 1 5 4 1 12T | 215 | 180 | 48500 | 39500 | 1850 | 1000 | 5,8 | 2,4 | 5 | 38 | 35 | 685 | 110 | 700 |
| CR8 1 6 3 1 12T | 246 | 210 | 61800 | 49800 | 2220 | 1200 | 6,9 | 2,9 | 6 | 39 | 36 | 624 | 102 | 800 |
| CR8 1 6 4 1 12T | 258 | 216 | 58200 | 47400 | 2220 | 1200 | 6,9 | 2,9 | 6 | 39 | 36 | 822 | 132 | 890 |
| CR8 2 3 3 1 12T | 246 | 210 | 61800 | 49800 | 2220 | 1200 | 6,9 | 2,9 | 6 | 39 | 36 | 624 | 102 | 800 |
| CR8 2 3 4 1 12T | 258 | 216 | 58200 | 47400 | 2220 | 1200 | 6,9 | 2,9 | 6 | 39 | 36 | 822 | 132 | 890 |
| CR8 2 4 3 1 12T | 328 | 280 | 82400 | 66400 | 2960 | 1600 | 9,2 | 3,8 | 8 | 40 | 37 | 832 | 136 | 1060 |
| CR8 2 4 4 1 12T | 344 | 288 | 77600 | 63200 | 2960 | 1600 | 9,2 | 3,8 | 8 | 40 | 37 | 1096 | 176 | 1120 |
| CR8 2 5 3 1 12T | 410 | 350 | 103000 | 83000 | 3700 | 2000 | 11,5 | 4,8 | 10 | 41 | 38 | 1040 | 170 | 1325 |
| CR8 2 5 4 1 12T | 430 | 360 | 97000 | 79000 | 3700 | 2000 | 11,5 | 4,8 | 10 | 41 | 38 | 1370 | 220 | 1395 |
| CR8 2 6 3 1 12T | 492 | 420 | 123600 | 99600 | 4440 | 2400 | 13,8 | 6 | 12 | 42 | 39 | 1248 | 204 | 1560 |
| CR8 2 6 4 1 12T | 516 | 432 | 116400 | 94800 | 4440 | 2400 | 13,8 | 6 | 12 | 42 | 39 | 1644 | 264 | 1780 |

VERTICAL AIR FLOW



HORIZONTAL AIR FLOW



| Model | Vertical flow | | | Horizontal flow | | | Refrigeration connections Ø in / out |
|--------------|---------------|------|------|-----------------|-----|------|---|
| | A | B | C | A | D | E | |
| CR 311 xx xx | 780 | 530 | 700 | 780 | 300 | 575 | 22 / 18 |
| CR 312 xx xx | 1280 | 530 | 700 | 1280 | 300 | 575 | 22 / 18 |
| CR 313 xx xx | 1780 | 530 | 700 | 1780 | 300 | 575 | 28 / 22 |
| CR 314 xx xx | 2280 | 530 | 700 | 2280 | 300 | 575 | 35 / 22 |
| CR 322 xx xx | 1280 | 1045 | 700 | 1280 | 300 | 1090 | 35 / 22 |
| CR 323 xx xx | 1780 | 1045 | 700 | 1780 | 300 | 1090 | 35 / 22 |
| CR 324 xx xx | 2280 | 1045 | 700 | 2280 | 300 | 1090 | 42 / 28 |
| CR 511 xx xx | 1080 | 830 | 700 | 1080 | 300 | 875 | 28 / 22 |
| CR 512 xx xx | 1880 | 830 | 700 | 1880 | 300 | 875 | 42 / 28 |
| CR 513 xx xx | 2680 | 830 | 700 | 2680 | 300 | 875 | 42 / 28 |
| CR 514 xx xx | 3480 | 830 | 700 | 3480 | 300 | 875 | 54 / 35 |
| CR 515 xx xx | 4280 | 830 | 700 | 4280 | 300 | 1690 | 54 / 35 |
| CR 522 xx xx | 1880 | 1645 | 700 | 1880 | 300 | 1690 | 54 / 35 |
| CR 523 xx xx | 2680 | 1645 | 700 | 2680 | 300 | 1690 | 54 / 42 |
| CR 524 xx xx | 3480 | 1645 | 700 | 3480 | 300 | 1690 | 54 / 42 |
| CR 525 xx xx | 4280 | 1645 | 700 | 4280 | 300 | 1690 | 67 / 42 |
| CR 611 xx xx | 1280 | 1030 | 900 | 1280 | 300 | 1075 | 35 / 22 |
| CR 612 xx xx | 2280 | 1030 | 900 | 2280 | 300 | 1075 | 42 / 28 |
| CR 613 xx xx | 3280 | 1030 | 900 | 3280 | 300 | 1075 | 54 / 42 |
| CR 614 xx xx | 4280 | 1030 | 900 | 4280 | 300 | 1075 | 54 / 42 |
| CR 615 xx xx | 5280 | 1030 | 900 | 5280 | 300 | 1075 | 67 / 42 |
| CR 616 xx xx | 6280 | 1030 | 900 | 6280 | 300 | 1075 | 67 / 42 |
| CR 622 xx xx | 2280 | 2090 | 900 | 2280 | 300 | 2150 | 54 / 42 |
| CR 623 xx xx | 3280 | 2090 | 900 | 3280 | 300 | 2150 | 67 / 42 |
| CR 624 xx xx | 4280 | 2090 | 900 | 4280 | 300 | 2150 | 76 / 54 |
| CR 625 xx xx | 5280 | 2090 | 900 | 5280 | 300 | 2150 | 76 / 54 |
| CR 626 xx xx | 6280 | 2090 | 900 | 6280 | 300 | 2150 | 89 / 67 |
| CR 711 xx xx | 1480 | 1075 | 900 | 1480 | 500 | 1135 | 35 / 22 |
| CR 712 xx xx | 2680 | 1075 | 900 | 2680 | 500 | 1135 | 42 / 28 |
| CR 713 xx xx | 3880 | 1075 | 900 | 3880 | 500 | 1135 | 54 / 42 |
| CR 714 xx xx | 5080 | 1075 | 900 | 5080 | 500 | 1135 | 54 / 42 |
| CR 715 xx xx | 6280 | 1075 | 900 | 6280 | 500 | 1135 | 67 / 42 |
| CR 716 xx xx | 7480 | 1075 | 900 | 7480 | 500 | 1135 | 67 / 42 |
| CR 722 xx xx | 2680 | 2150 | 900 | 2680 | 500 | 2210 | 54 / 42 |
| CR 723 xx xx | 3880 | 2150 | 900 | 3880 | 500 | 2210 | 67 / 42 |
| CR 724 xx xx | 5080 | 2150 | 900 | 5080 | 500 | 2210 | 76 / 54 |
| CR 725 xx xx | 6280 | 2150 | 900 | 6280 | 500 | 2210 | 76 / 54 |
| CR 726 xx xx | 7480 | 2150 | 900 | 7480 | 500 | 2210 | 89 / 67 |
| CR 811 xx xx | 1880 | 1180 | 1100 | 1880 | 500 | 1220 | 42 / 28 |
| CR 812 xx xx | 3480 | 1180 | 1100 | 3480 | 500 | 1220 | 54 / 35 |
| CR 813 xx xx | 5080 | 1180 | 1100 | 5080 | 500 | 1220 | 67 / 42 |
| CR 814 xx xx | 6680 | 1180 | 1100 | 6680 | 500 | 1220 | 76 / 54 |
| CR 815 xx xx | 8280 | 1180 | 1100 | 8280 | 500 | 1220 | 76 / 54 |
| CR 816 xx xx | 9880 | 1180 | 1100 | 9880 | 500 | 1220 | 89 / 67 |
| CR 822 xx xx | 3480 | 2350 | 1100 | 3480 | 500 | 2390 | 76 / 54 |
| CR 823 xx xx | 5080 | 2350 | 1100 | 5080 | 500 | 2390 | 89 / 67 |
| CR 824 xx xx | 6680 | 2350 | 1100 | 6680 | 500 | 2390 | 2 X 76 / 54 |
| CR 825 xx xx | 8280 | 2350 | 1100 | 8280 | 500 | 2390 | 2 X 76 / 54 |
| CR 826 xx xx | 9880 | 2350 | 1100 | 9880 | 500 | 2390 | 2 X 89 / 67 |

* = on request

KFL srl

Via Dal Bosc 10
34076 Romans d'Isonzo
Gorizia
Italy

Tel. +39 0481 950942
Fax +39 0481 950478

info@kfl-italy.com
www.kfl-italy.com
P.iva 11651200153

I dati riportati sono indicativi. KFL si riserva di apportare modifiche senza preavviso.
The above-mentioned technical data are merely indicative. KFL reserves the right to modify without notice.
Les données techniques sont à titre indicatif. KFL se réserve le droit de modifier sans préavis.
Die angegebenen technischen Daten sind nur anhaltswerte. KFL behält sich vor, jederzeit Änderungen vorzunehmen, die für notwendig gehalten werden.